



Manufactured by:  
Backyard Discovery  
3305 Airport Drive, Pittsburg, KS 66762  
800-856-4445

Basepoint Business Centre; Rivermead Drive, Westlea, Swindon SN5 7EX Phone: 0800-118-2476  
J.P. Coenstraat 7, The Bridge, The Hague, 2595 WP, Netherlands Phone: 08005678990

# ROCKPORT XL STEEL GRILL GAZEBO

## MODEL # : 2306028



Please visit [www.backyarddiscovery.com](http://www.backyarddiscovery.com)  
For the most up to date assembly manual, to register your product, or to order  
replacement parts *Para obtener instrucciones en español, visite*  
[www.backyarddiscovery.com](http://www.backyarddiscovery.com)



EASY STEP-BY-STEP  
3D INTERACTIVE INSTRUCTIONS  
DOWNLOAD THE FREE APP



INSTALLATION  
SERVICES  
AVAILABLE!  
See inside for details

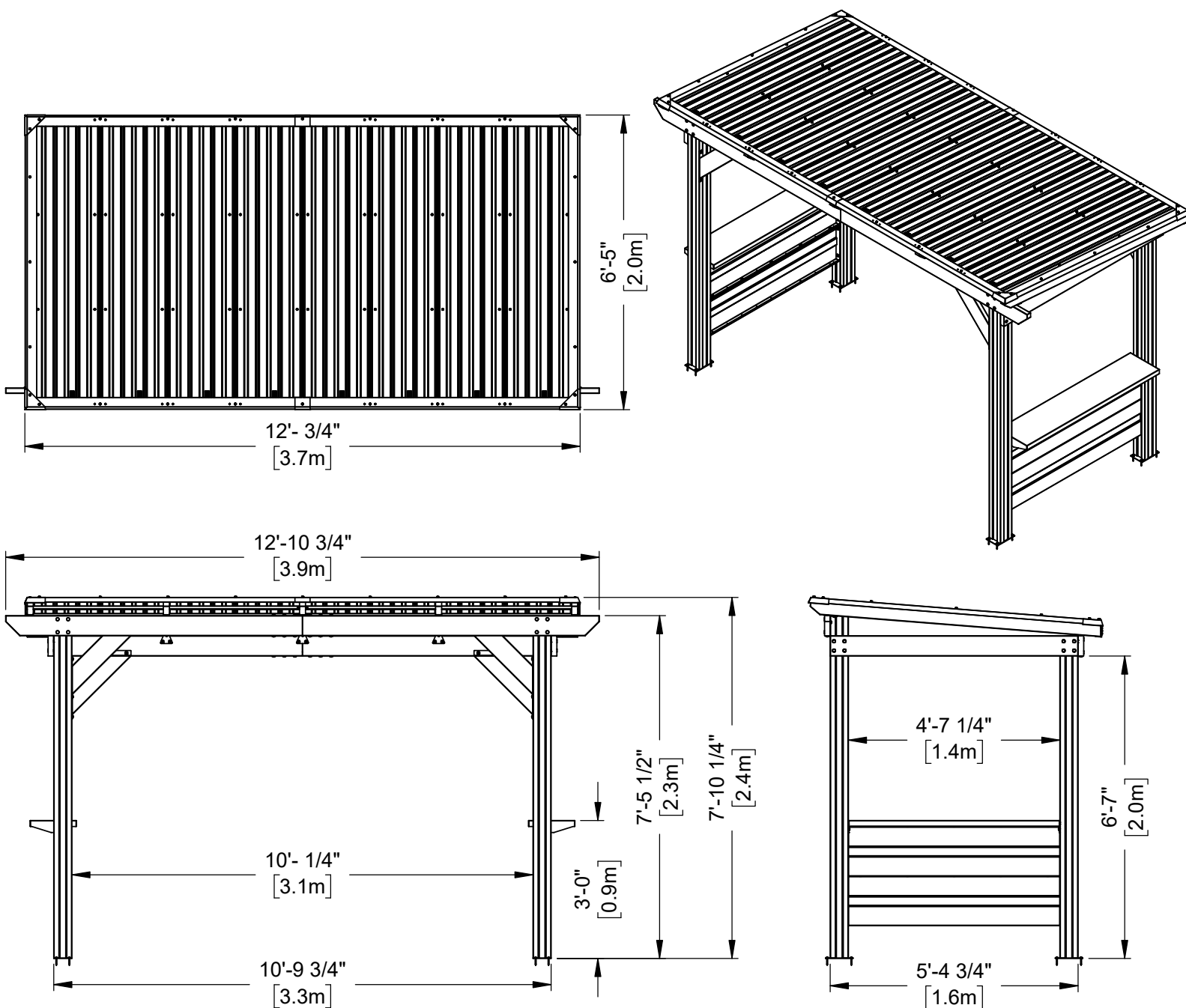
# OWNER'S MANUAL - BASIC SETUP DIMENSIONS & ASSEMBLY NOTES

It is critically important that you start with square and level footings, concrete pad or deck to attach your structure

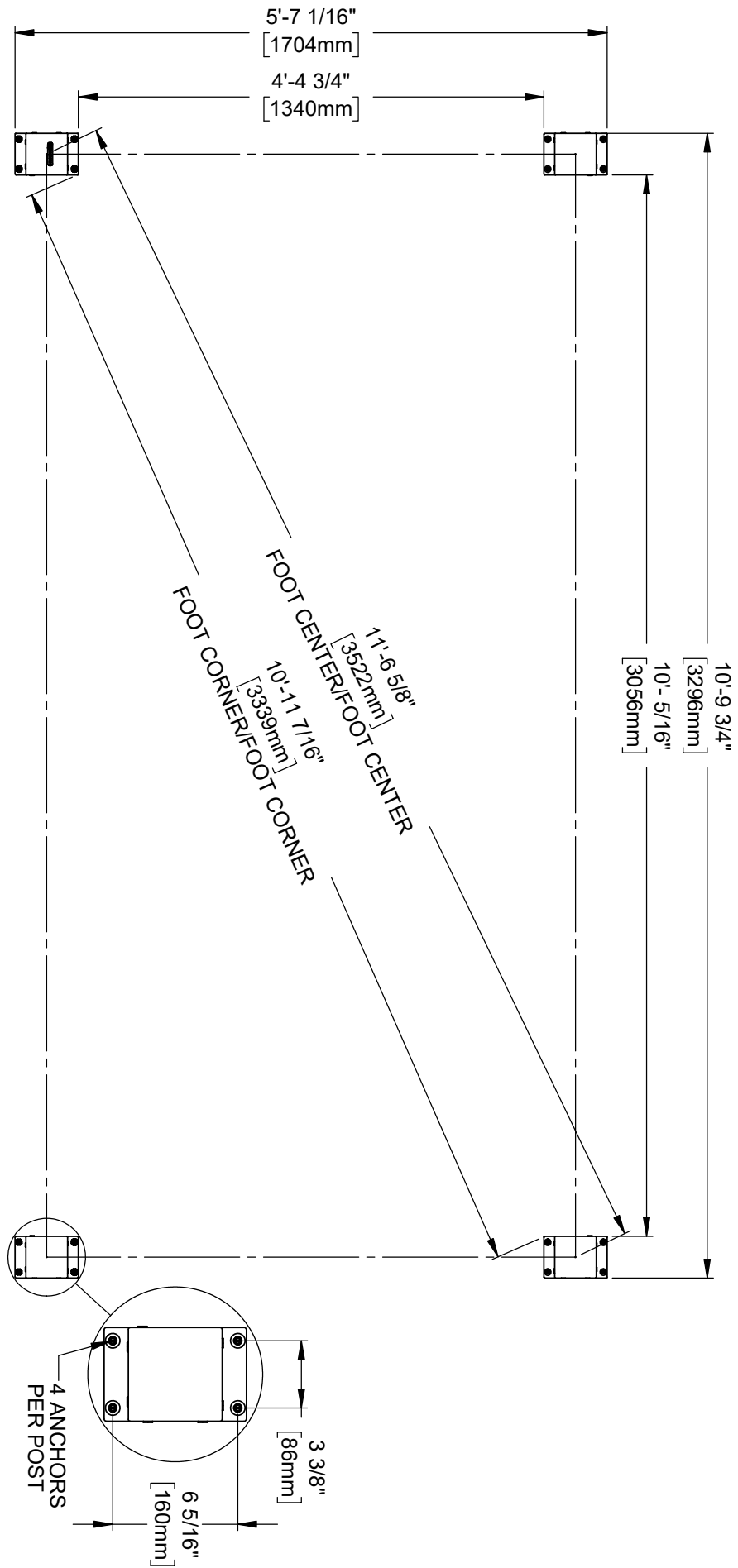
- Pay close attention to the items needed for each step. Make sure you are using the correct hardware for each step. Using incorrect hardware may result in improper assembly
- Remember to double check for underground utilities and overhead electrical lines

Post mounts are provided with your structure which allows you to permanently install your structure to a pre-existing or new wood or concrete surface. See Anchor Instructions for further details and recommendations.

- The hardware to attach the post mounts to the structure is included.
- The hardware to mount the structure permanently to a concrete surface is included.
- The hardware to mount the structure permanently to a wood deck is NOT included and will need to be purchased separately. You must ensure there is ample structural support under the deck before permanently attaching.

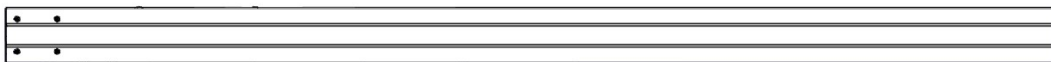


# OWNER'S MANUAL - ANCHORING LAYOUT

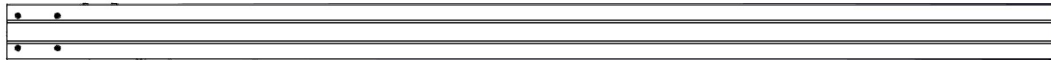


# OWNER'S MANUAL - PARTS IDENTIFICATION

METAL COMPONENTS (NOT TO SCALE)



A1 POST FRONT - A4M01755  
(x1) 4 13/16"x7 1/16"x89 1/2" (122x180x2274)



A2 POST FRONT - A4M01756  
(x1) 4 13/16"x7 1/16"x89 1/2" (122x180x2274)



B1 POST REAR - A4M01757  
(x1) 4 13/16"x7 1/16"x84 1/4" (122x180x2140)



B2 POST REAR - A4M01758  
(x1) 4 13/16"x7 1/16"x84 1/4" (122x180x2140)



D4 SIDE BEAM - A4M01761  
(x2) 1 7/16"x5 1/4"x64 9/16" (36x134x1640)



D1 BACK BEAM - A4M01762  
(x1) 1 7/16"x5 1/4"x66 5/16" (36x134x1685)



D2 BACK BEAM - A4M01763  
(x1) 1 7/16"x5 1/4"x66 5/16" (36x134x1685)



C1 FRONT BEAM - A4M01759  
(x1) 1 7/16"x5 1/4"x77 3/8" (36x134x1966)



C2 FRONT BEAM - A4M01760  
(x1) 1 7/16"x5 1/4"x77 3/8" (36x134x1966)



F1 RAFTER - A4M01767  
(x2) 1 9/16"x3 1/8"x76 1/4" (40x80x1937)



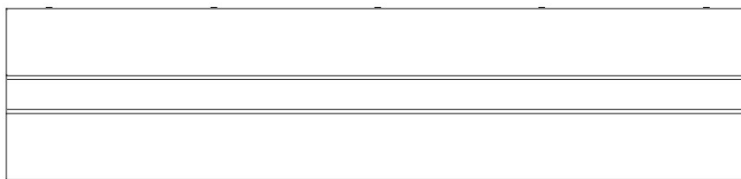
F2 OUTSIDE RAFTER - A4M01768  
(x2) 1 9/16"x3 1/8"x76 1/4" (40x80x1937)



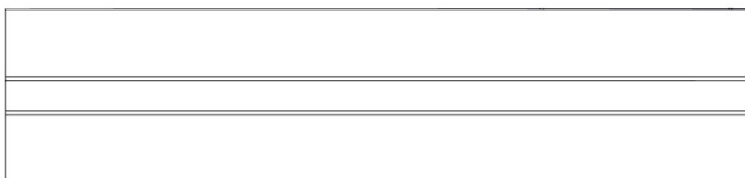
F3 MIDDLE RAFTER - A4M01769  
(x1) 1 9/16"x3 1/8"x76 1/4" (40x80x1937)

# OWNER'S MANUAL - PARTS IDENTIFICATION

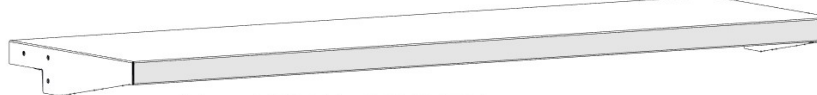
METAL COMPONENTS (NOT TO SCALE)



D5 PANEL-A4M01764  
(x2) 1 7/16"x10 9/16"x55 3/8" (36x269x1407)



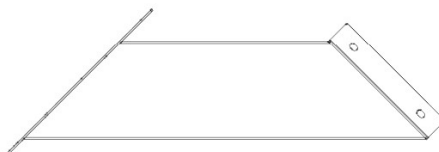
D6 PANEL-A4M01765  
(x2) 1 7/16"x10 9/16"x55 3/8" (36x269x1407)



D3 TABLE - A4M01766  
(x2) 3 1/4"x16"x55" (82x407x1397)



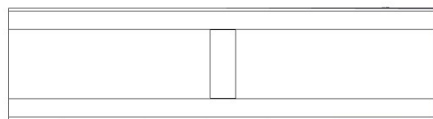
E1 PURLIN - A4M01770  
(x8) 13/16"x1 9/16"x71 15/16" (20x40x1826)



C3 CORBEL - A4M01636  
(x2) 1 7/16"x8 9/16"x23 5/16" (36x217x591)



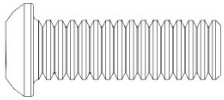
C4 CORBEL - A4M01637  
(x2) 1 7/16"x8 9/16"x23 5/16" (36x217x591)



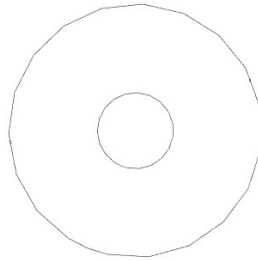
J1 FRONT SPLICE BRACKET - A4M01269  
(x2) 1 5/16"x5 1/8"x19 5/8" (33.2x131.2x500)

# OWNER'S MANUAL - PARTS IDENTIFICATION

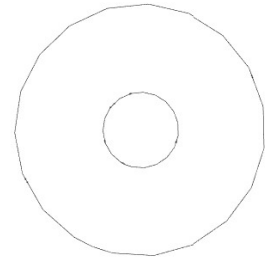
## HARDWARE COMPONENTS (NOT TO SCALE)



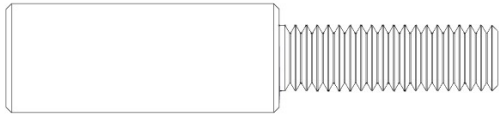
H101101 TORX PAN HEAD  
(114) 1/4-20x3/4



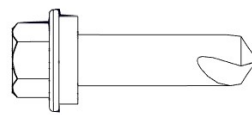
H101053 STEEL WASHER  
(114) 6x20



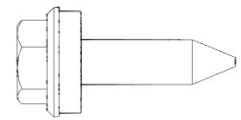
H101054 SEALANT WASHER  
(114)



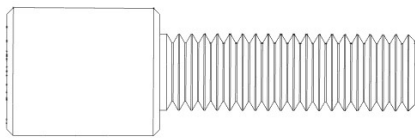
H101103 TORX SOCKET SCREW  
(32) 1/4-20



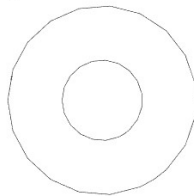
H101116 SCREW TAPPING  
(28) 1/4x1 BLK



H101117 SCREW WOODGRIP  
(64) 10x3/4 BLK



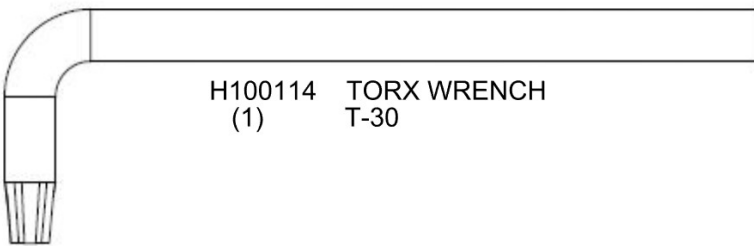
H101132 TORX SOCKET SCREW SHORT  
(20) 1/4-20



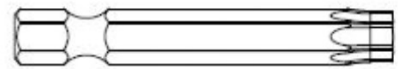
H100630 FLAT WASHER BLK  
(16) 8x19



H100120 CONCRETE ANCHOR  
(16) 1/4x2



H100114 TORX WRENCH  
(1) T-30



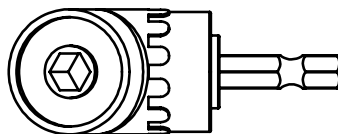
H100147 TORX BIT  
(1) T-30



H101106 SOCKET DRIVER  
(1)



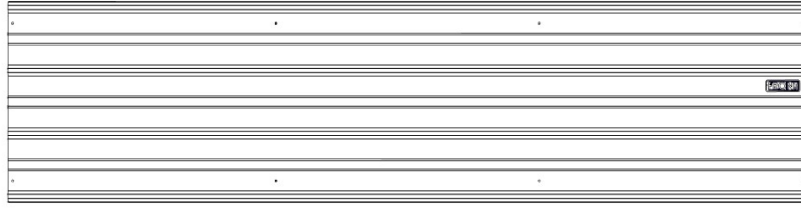
H101100 MAGNETIC DRIVER  
(1)



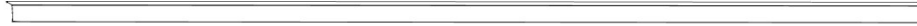
H101114 RIGHT ANGLE  
(1) DRILL ADAPTER

# OWNER'S MANUAL - PARTS IDENTIFICATION

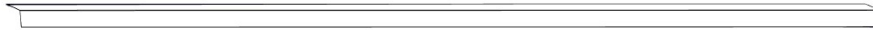
## ACCESSORY COMPONENTS (NOT TO SCALE)



A4M01771 29GA STEEL SHEETING  
(x8)



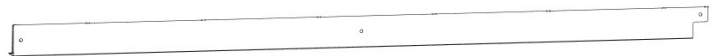
A4M01774 FRONT/BACK TRIM  
(x4)



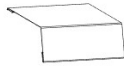
A4M01775 SIDE TRIM  
(x2)



A4M01777 BACK ROOF ANGLE  
(x1)



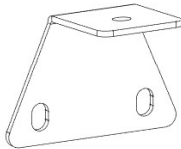
A4M01778 BACK ROOF ANGLE  
(x1)



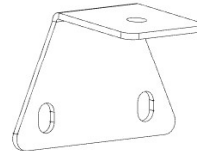
A4M01776 TRIM SPLICE  
(x2)



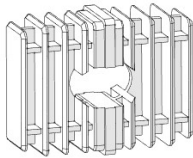
A4M01645 CORNER PROTECTOR  
(x4)



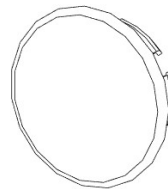
A4M01650 BACK RAFTER BRACKET  
(x3)



A4M01651 FRONT RAFTER BRACKET  
(x5)



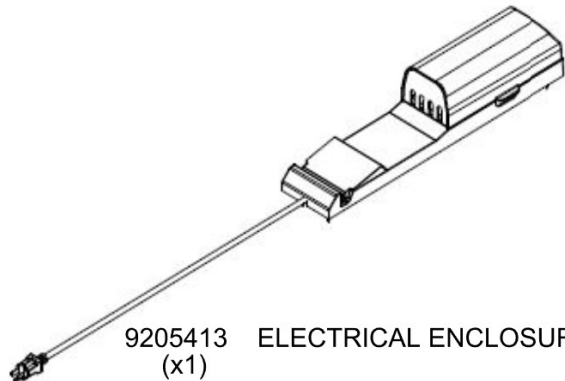
A6P00530 2-WAY SQUARE PLUG  
(x4)



A4M01352 HOLE COVER  
(x32)



A4M01807 MAGNETIC HOOK  
(x6)



9205413 ELECTRICAL ENCLOSURE  
(x1)

# PRE-ASSEMBLY STEP 1 - SORTING PARTS

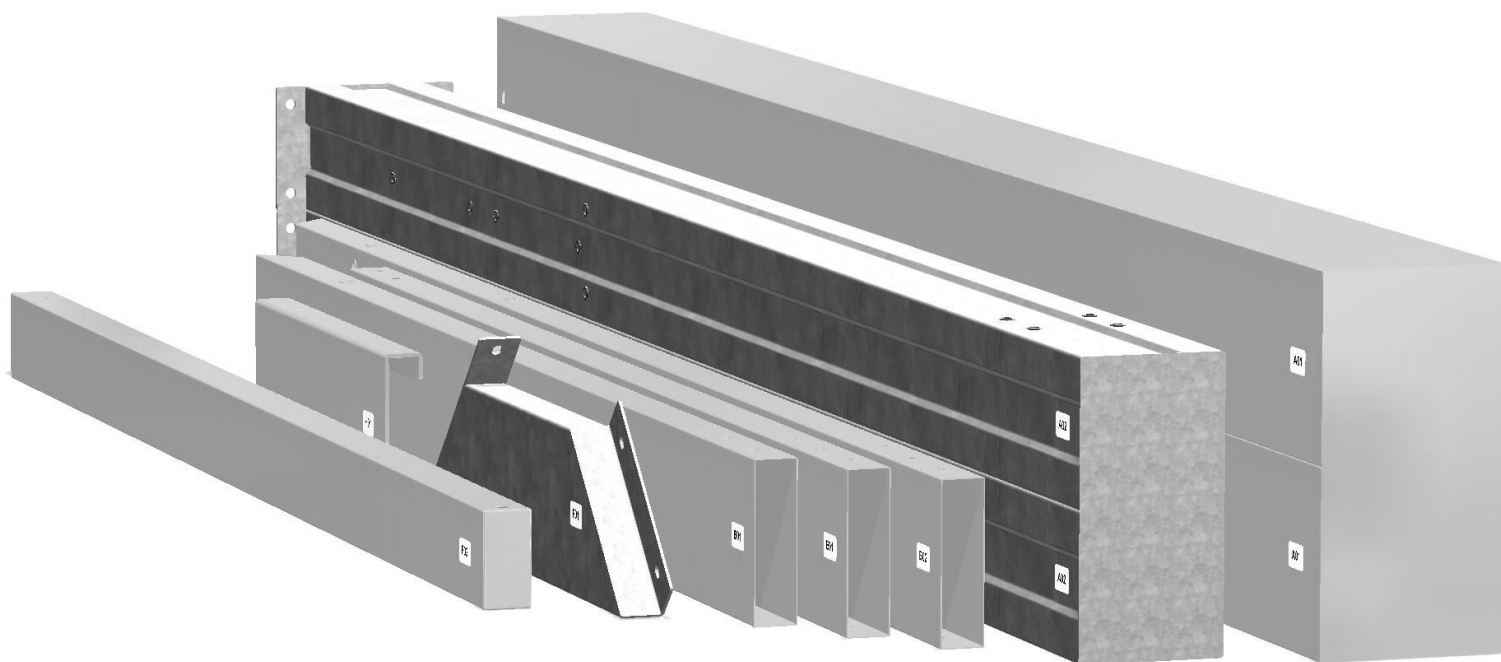
It is critical for ease of assembly that you take the time to sort and organize the parts and hardware.

---

## METAL PARTS:

- Organize metal parts by the three-digit, alpha-numeric number stamped on each part (ex. P01).
- If there are multiple parts with the same stamped number, stack those pieces together.
- Stamps can be found on the flat surface of the parts or on the end of the parts.
- Allow yourself plenty of room - the parts can take up a significant amount of space.

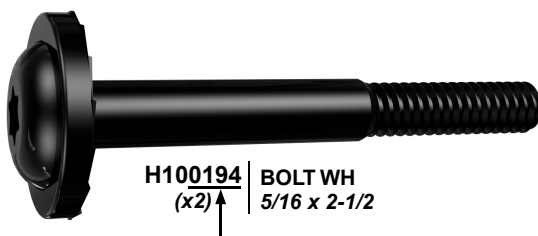
**NOTE: CARTONS ARE NOT ORGANIZED BY PART NUMBER.**



---

## HARDWARE PARTS:

- We recommend that you have a separate table to organize the hardware.
- Hardware bags are printed with a seven-digit, alpha-numeric part number.
- You can organize your hardware by part number or group by hardware type (i.e. bolts, nuts, etc.).
- During assembly you only need to reference the last four digits of the number.





# PRE-ASSEMBLY STEP 2 - TOOLS REQUIRED



Cordless Drill or  
Electric Drill



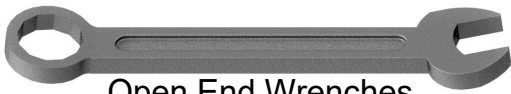
Drill Attachments:  
Phillips Head



1/8", 3/16", 3/8" &  
7/16" Drill Bits



Phillips Screw Driver



Open End Wrenches  
1/2" & 9/16"



3/8" Drive Ratchet, 1/2" &  
7/16" STD Sockets 1/2" & 7/16"  
Deep Sockets



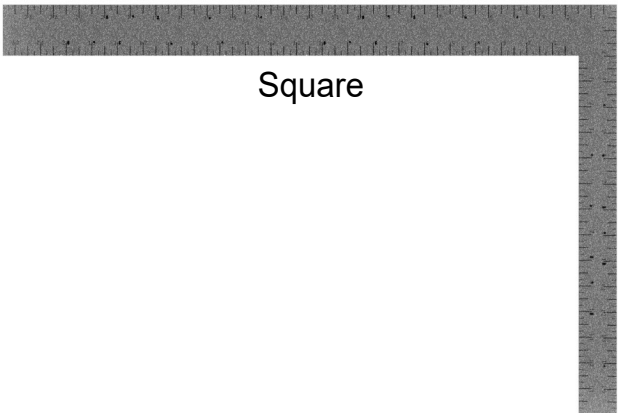
Claw Hammer



Rubber Mallet -  
Optional



Tape Measure



Square




Level 24"

# PRE-ASSEMBLY STEP 3 - CHOOSE YOUR ASSEMBLY METHOD

There are several types of assembly instructions available to you.

1. Printed Assembly Manual included with your set
2. BILT APP - 3D interactive instructions
3. Combination of the Printed Manual and BILT APP (Note: Step numbers can differ between the two methods)



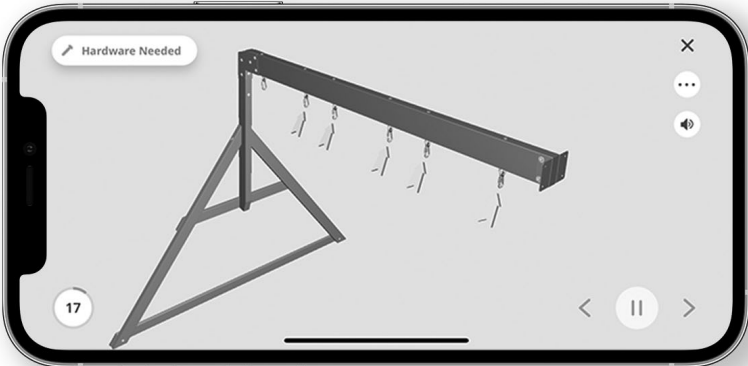
**BILT.**

Scan for easy  
**3D instructions**

Download the BILT app  
before you begin

Download on the  
App Store

GET IT ON  
Google Play



Hardware Needed

17

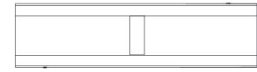
The image shows a smartphone screen displaying a 3D assembly instruction. The screen features a 3D model of a metal frame structure. At the top left, there is a button labeled 'Hardware Needed'. At the bottom left, a circular icon contains the number '17'. At the bottom right, there are navigation icons: a back arrow, a pause button, and a forward arrow. The entire advertisement is enclosed in a grey border.

# STEP 4 - BEAM ASSEMBLY

QTY	PART NUMBER	DESCRIPTION
6	H101101	TORX PAN HEAD 1/4-20x3/4"
6	H101054	SEALANT WASHER
6	H101053	STEEL WASHER 6x20



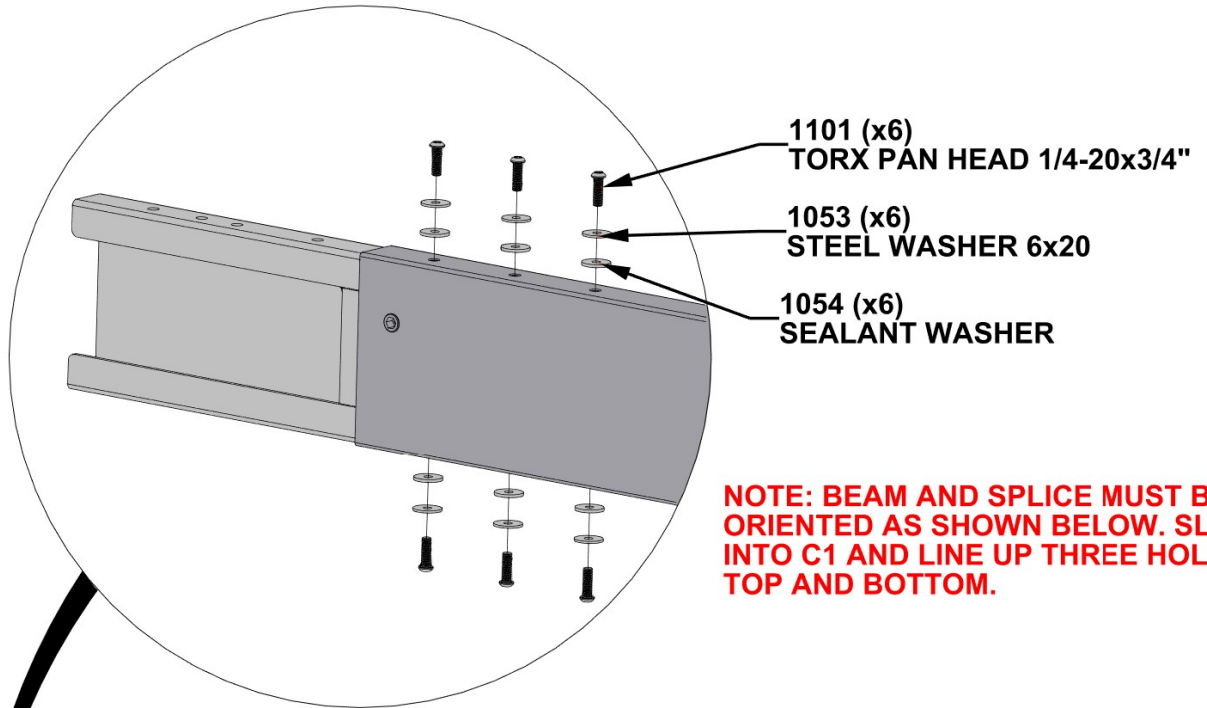
C1 FRONT BEAM - A4M01759  
(x1) 1 7/16"x5 1/4"x77 3/8" (36x134x1966)



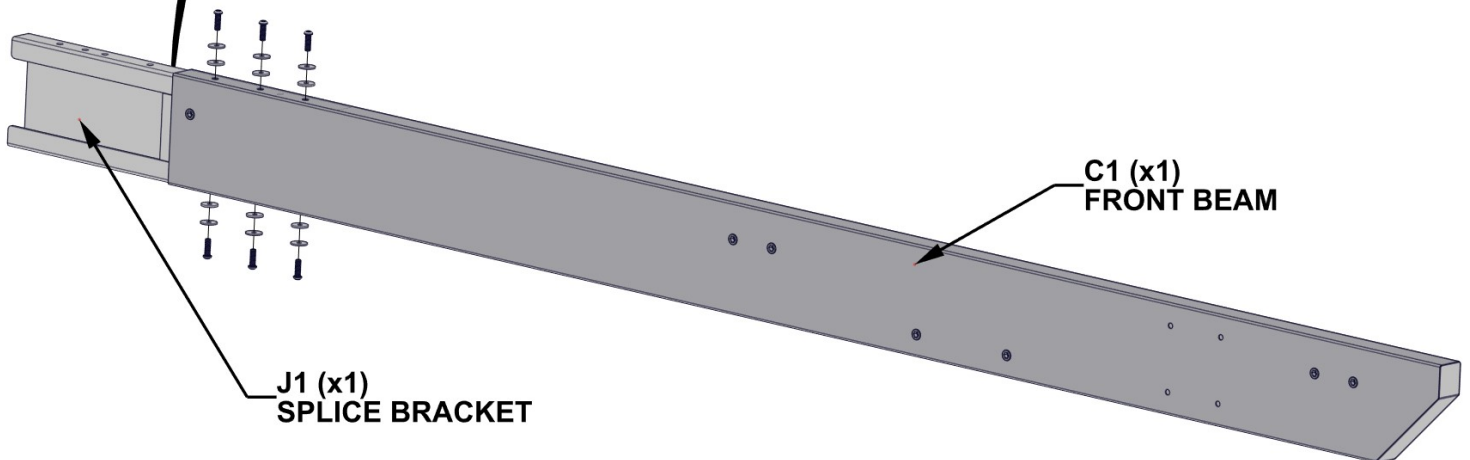
J1 FRONT SPLICE BRACKET - A4M01269  
(x1) 1 5/16"x5 1/8"x19 5/8" (33.2x131.2x500)

FOR EASE OF ASSEMBLY, WE RECOMMEND USING SAW HORSES FOR STEPS 4 - 9.

**DO NOT FULLY TIGHTEN BOLTS AT THIS STEP.**



**NOTE: BEAM AND SPLICE MUST BE ORIENTED AS SHOWN BELOW. SLIDE J1 INTO C1 AND LINE UP THREE HOLES TOP AND BOTTOM.**

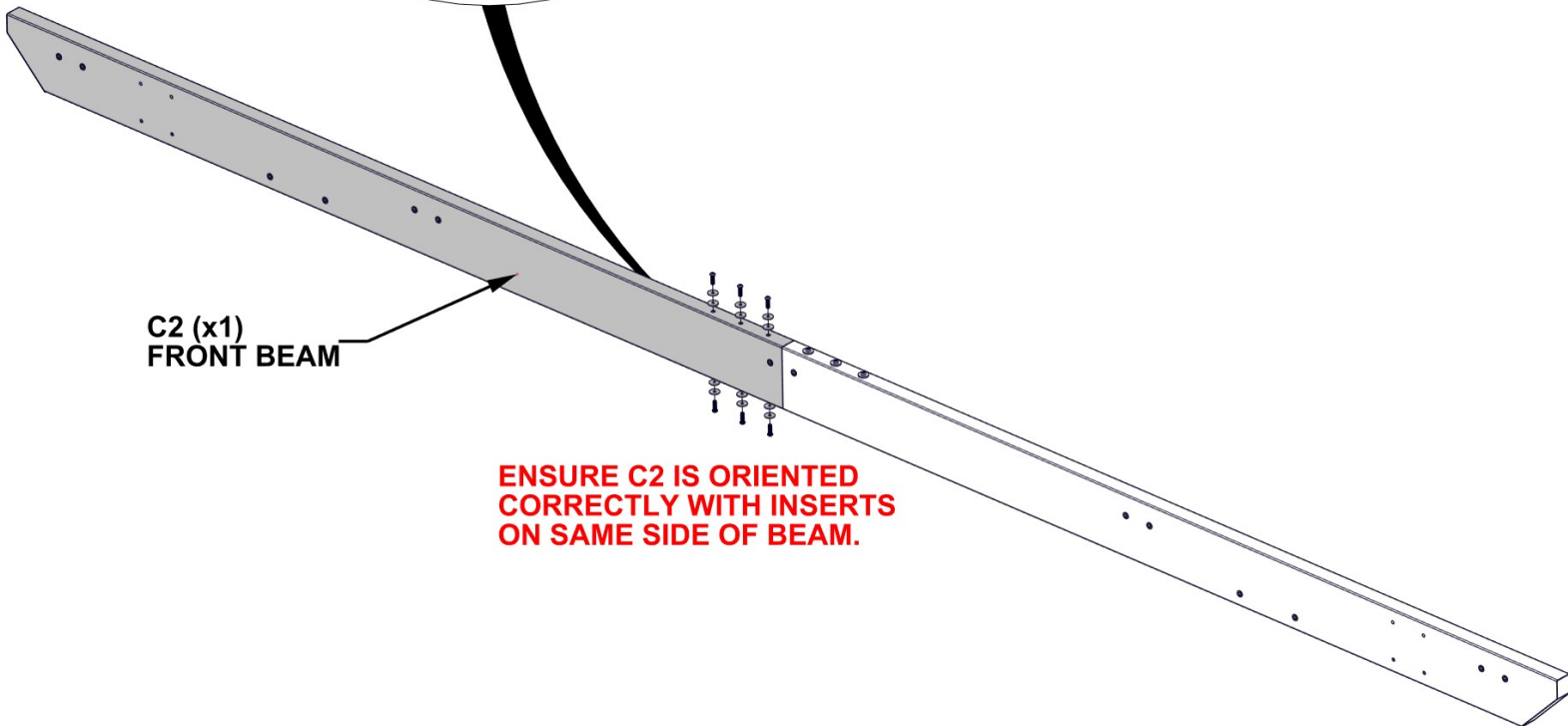
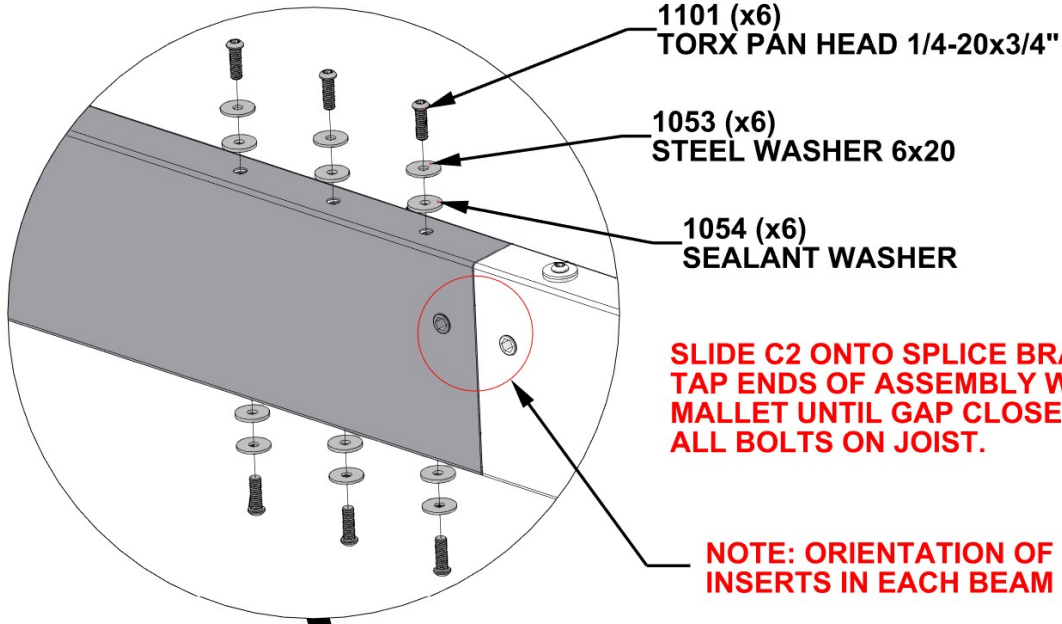


# STEP 5 - BEAM ASSEMBLY

QTY	PART NUMBER	DESCRIPTION
6	H101101	TORX PAN HEAD 1/4-20x3/4"
6	H101054	SEALANT WASHER
6	H101053	STEEL WASHER 6x20



C2 FRONT BEAM - A4M01760  
 (x1) 1 7/16"x5 1/4"x77 3/8" (36x134x1966)



# STEP 6 - BEAM ASSEMBLY

QTY	PART NUMBER	DESCRIPTION
6	H101101	TORX PAN HEAD 1/4-20x3/4"
6	H101054	SEALANT WASHER
6	H101053	STEEL WASHER 6x20

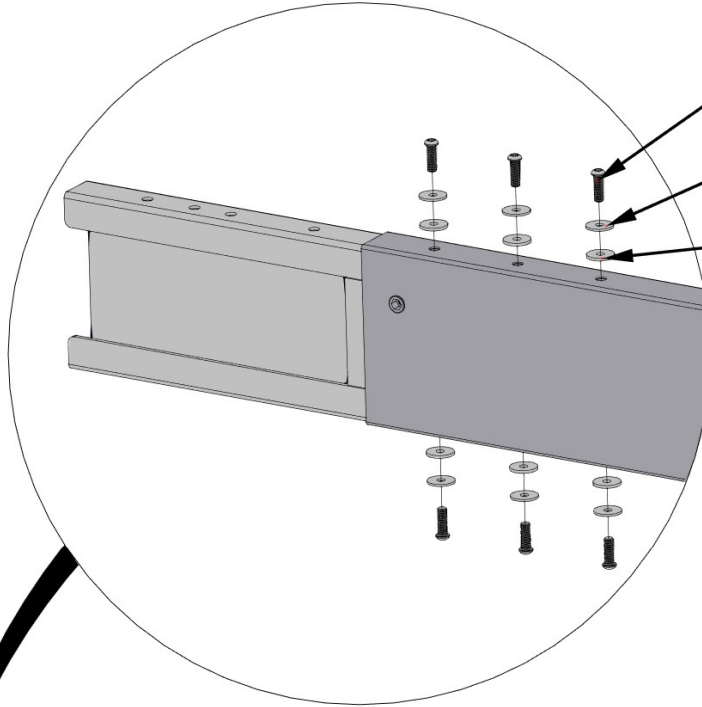


D2 BACK BEAM - A4M01763  
(x1) 1 7/16"x5 1/4"x66 5/16" (36x134x1685)



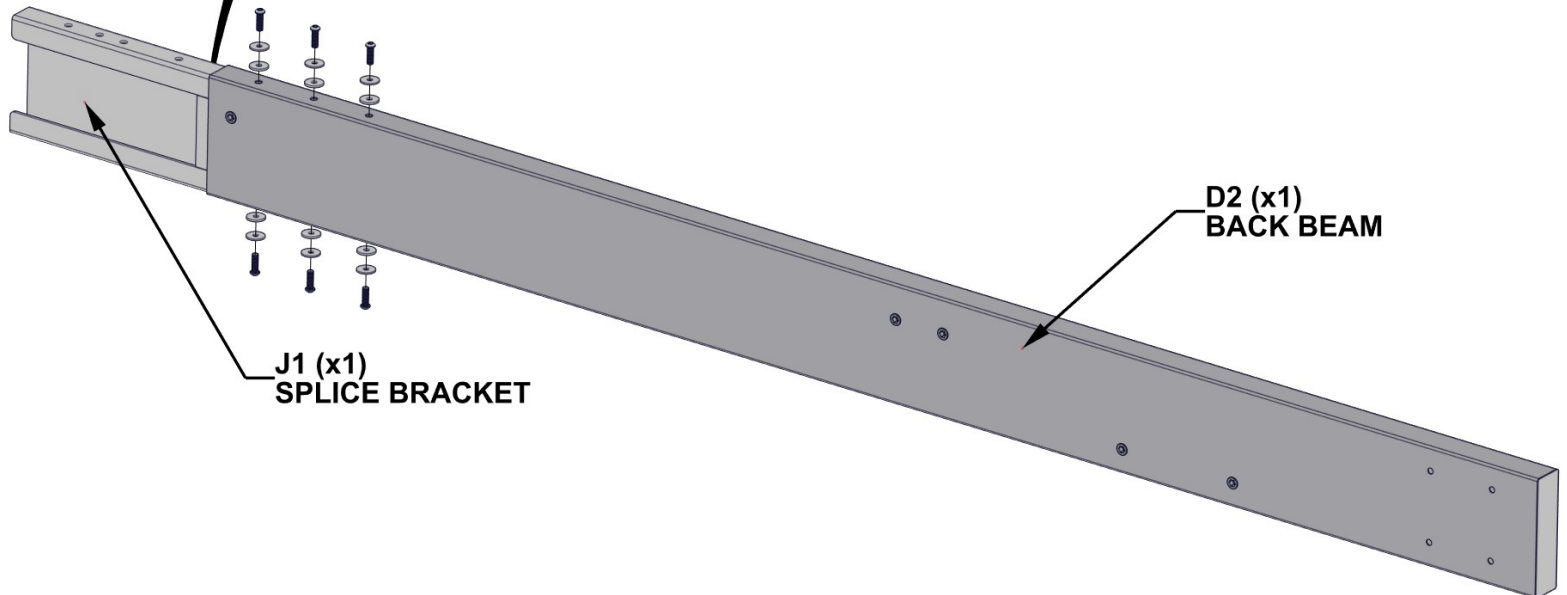
J1 FRONT SPLICE BRACKET - A4M01269  
(x1) 1 5/16"x5 1/8"x19 5/8" (33.2x131.2x500)

**DO NOT FULLY TIGHTEN BOLTS AT THIS STEP.**



- 1101 (x6)  
TORX PAN HEAD 1/4-20x3/4"
- 1053 (x6)  
STEEL WASHER 6x20
- 1054 (x6)  
SEALANT WASHER

**NOTE: BEAM AND SPLICE MUST BE ORIENTED AS SHOWN BELOW. SLIDE J1 INTO D2 AND LINE UP THREE HOLES TOP AND BOTTOM.**

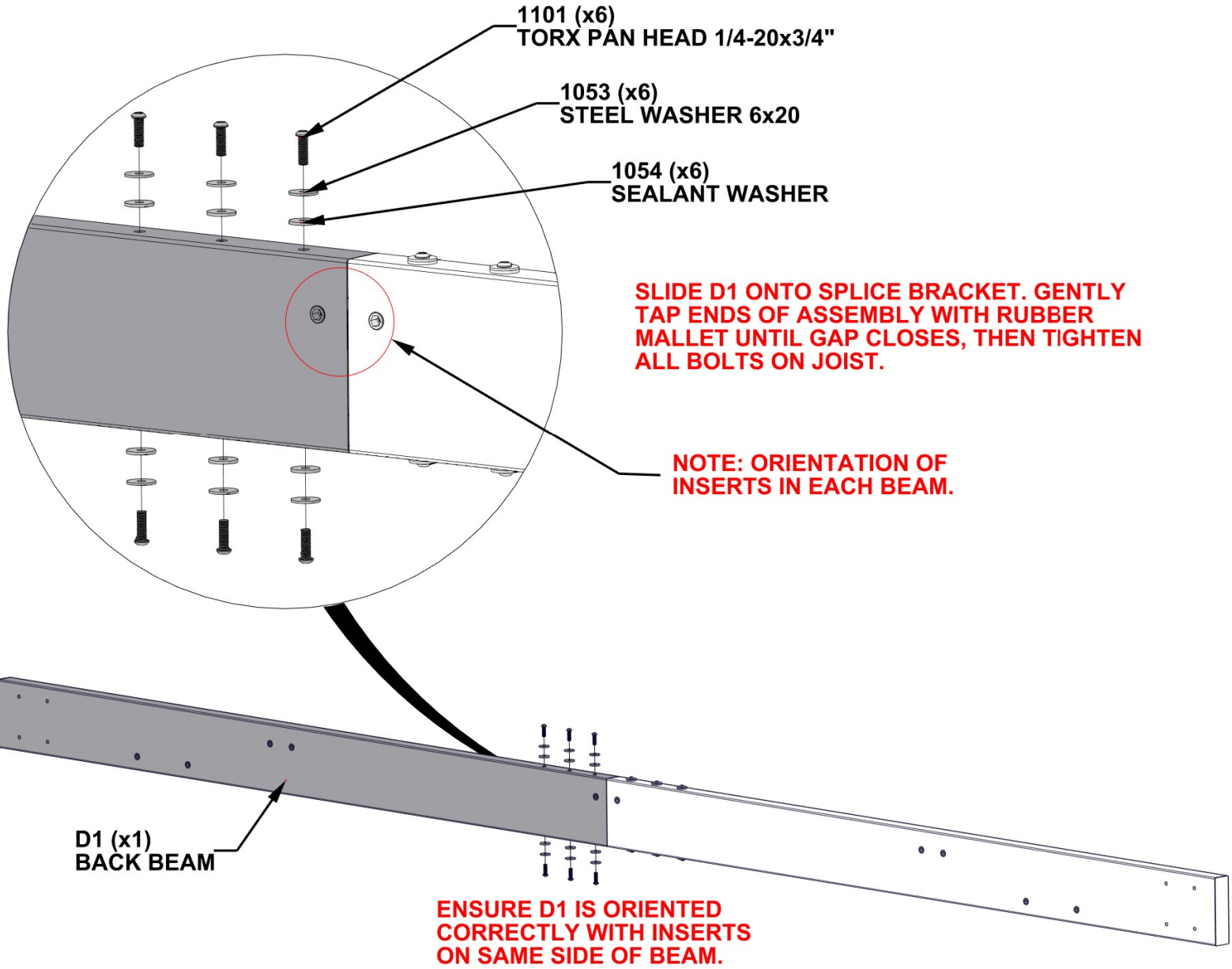


# STEP 7 - BEAM ASSEMBLY

QTY	PART NUMBER	DESCRIPTION
6	H101101	TORX PAN HEAD 1/4-20x3/4"
6	H101054	SEALANT WASHER
6	H101053	STEEL WASHER 6x20



D1 BACK BEAM - A4M01762  
 (x1) 1 7/16"x5 1/4"x66 5/16" (36x134x1685)



# STEP 8 - UPRIGHT ASSEMBLY

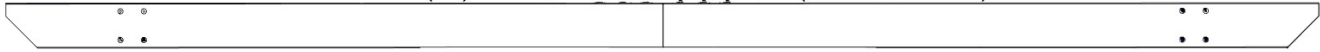
QTY	PART NUMBER	DESCRIPTION
8	H101103	TORX SOCKET SCREW 1/4-20



A1 POST FRONT - A4M01755  
 (x1) 4 13/16"x7 1/16"x89 1/2" (122x180x2274)

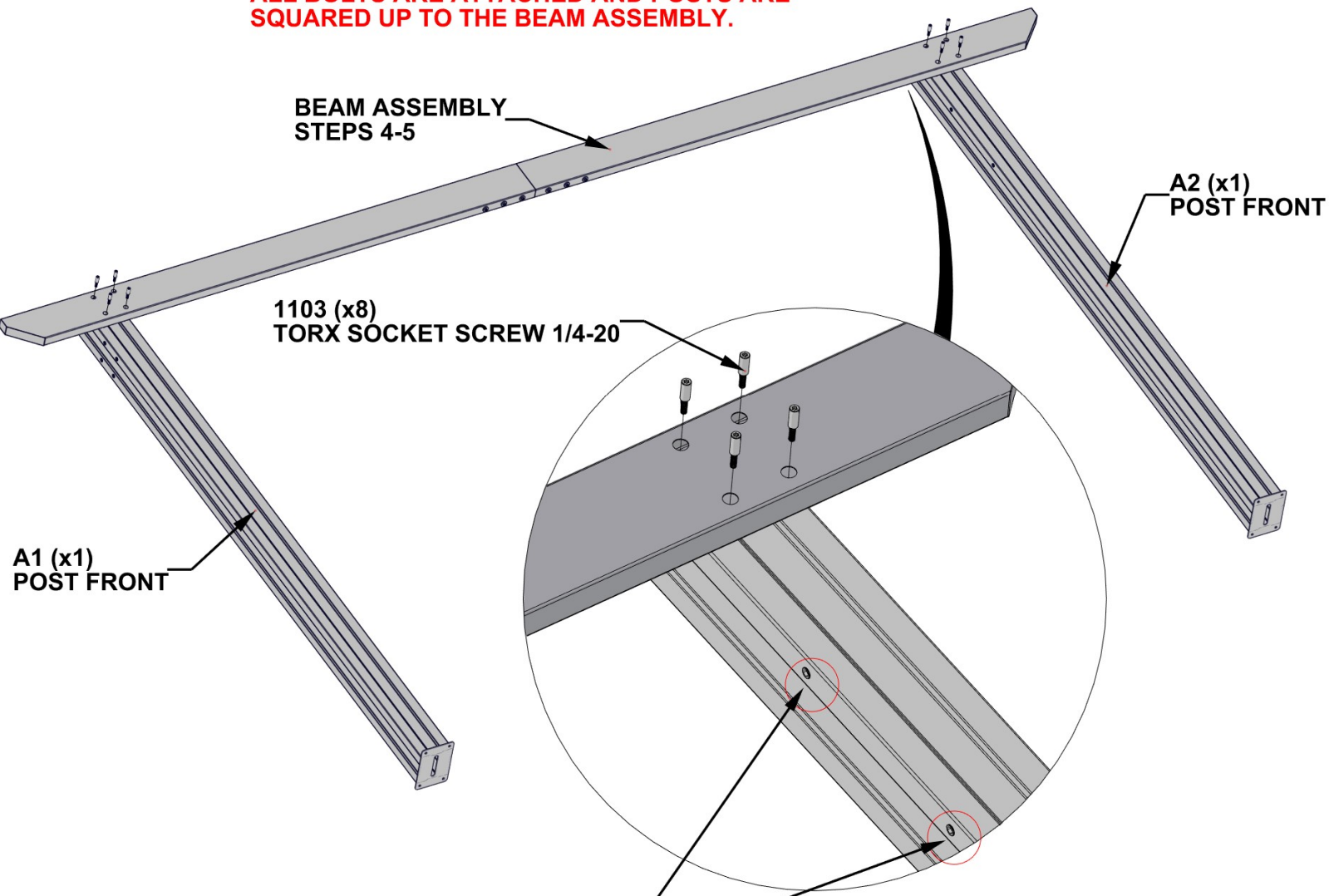


A2 POST FRONT - A4M01756  
 (x1) 4 13/16"x7 1/16"x89 1/2" (122x180x2274)



BEAM ASSEMBLY - STEPS 4-5

**DO NOT FULLY TIGHTEN HARDWARE UNTIL ALL BOLTS ARE ATTACHED AND POSTS ARE SQUARED UP TO THE BEAM ASSEMBLY.**



**NOTE: INSERTS ON INSIDE OF EACH POST.**

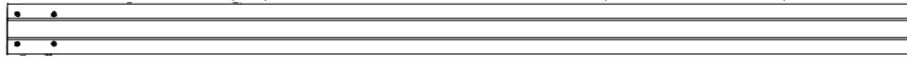
**ENSURE CORRECT PLACEMENT AND ORIENTATION OF POSTS AND BEAM ASSEMBLY. BOLT TO UPPER FOUR BOLT HOLES, KEEP LOWER FOUR HOLES FACING OUT.**

# STEP 9 - UPRIGHT ASSEMBLY

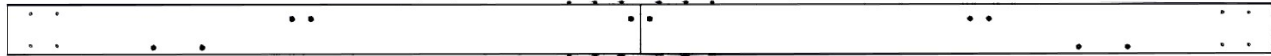
QTY	PART NUMBER	DESCRIPTION
8	H101103	TORX SOCKET SCREW 1/4-20



B1 POST REAR - A4M01757  
(x1) 4 13/16"x7 1/16"x84 1/4" (122x180x2140)

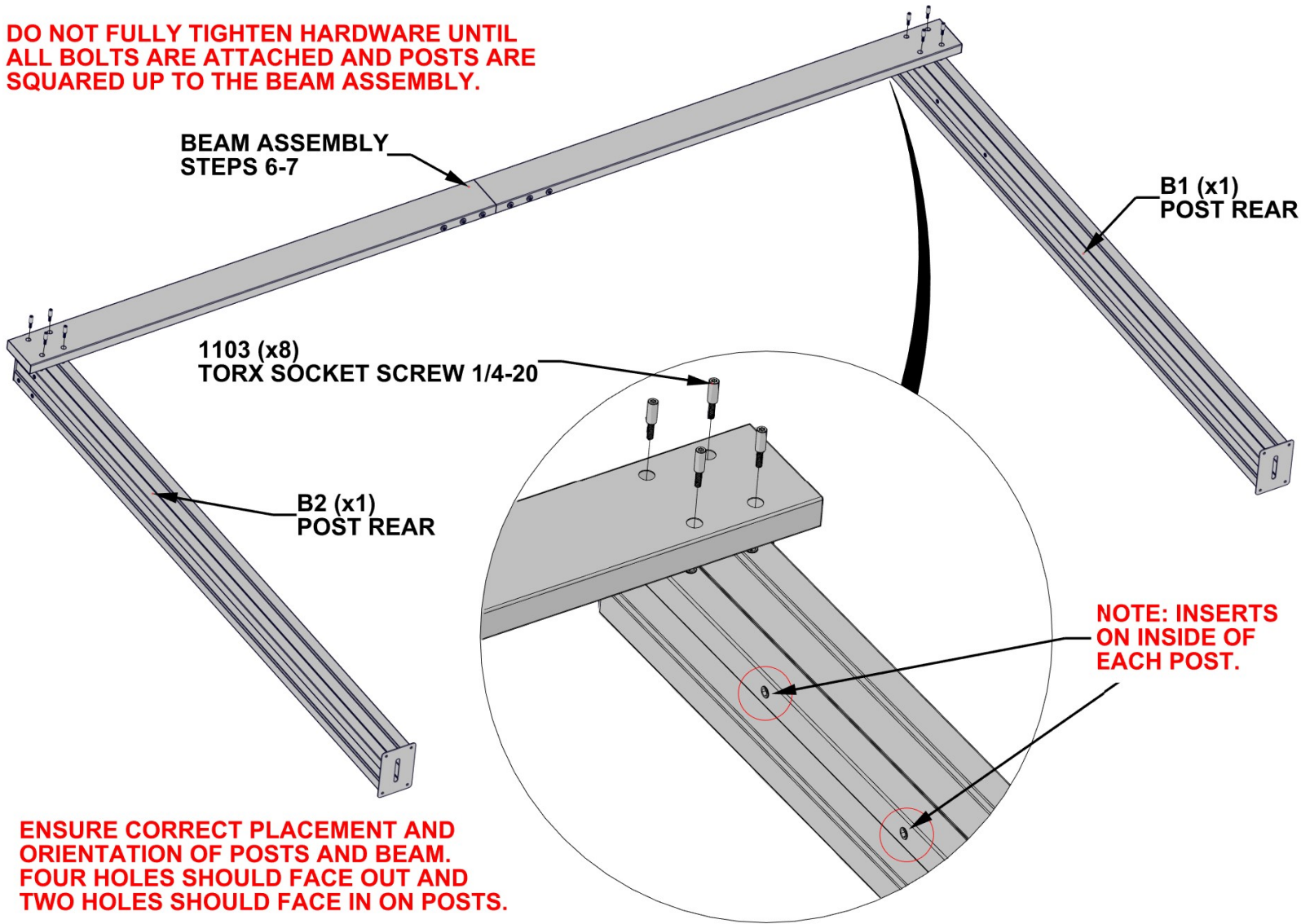


B2 POST REAR - A4M01758  
(x1) 4 13/16"x7 1/16"x84 1/4" (122x180x2140)



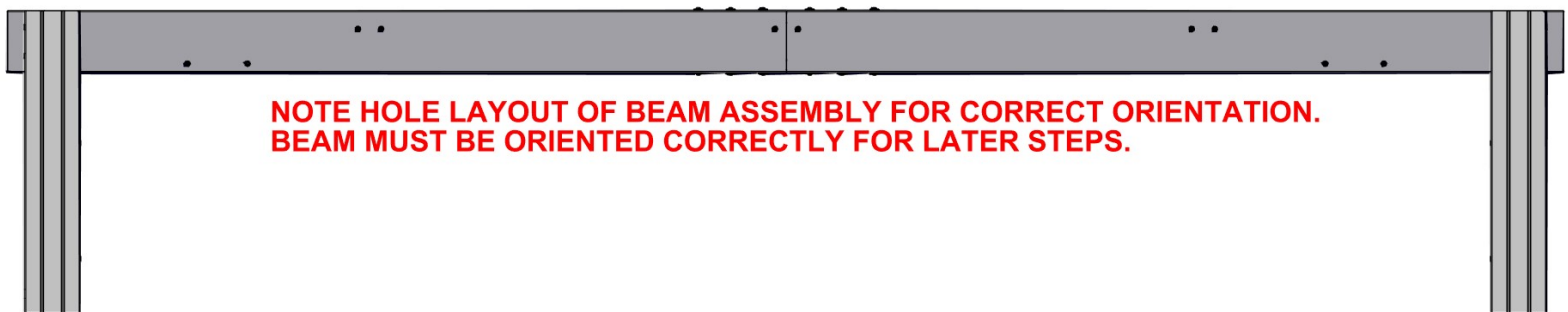
BEAM ASSEMBLY - STEPS 6-7

**DO NOT FULLY TIGHTEN HARDWARE UNTIL ALL BOLTS ARE ATTACHED AND POSTS ARE SQUARED UP TO THE BEAM ASSEMBLY.**



**ENSURE CORRECT PLACEMENT AND ORIENTATION OF POSTS AND BEAM. FOUR HOLES SHOULD FACE OUT AND TWO HOLES SHOULD FACE IN ON POSTS.**

INSIDE BACK VIEW

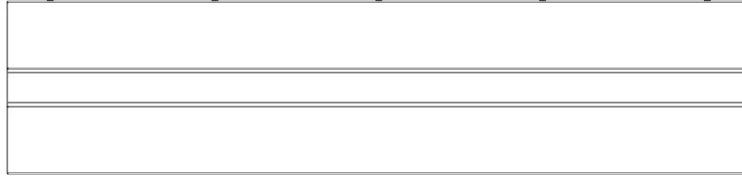


**NOTE HOLE LAYOUT OF BEAM ASSEMBLY FOR CORRECT ORIENTATION. BEAM MUST BE ORIENTED CORRECTLY FOR LATER STEPS.**



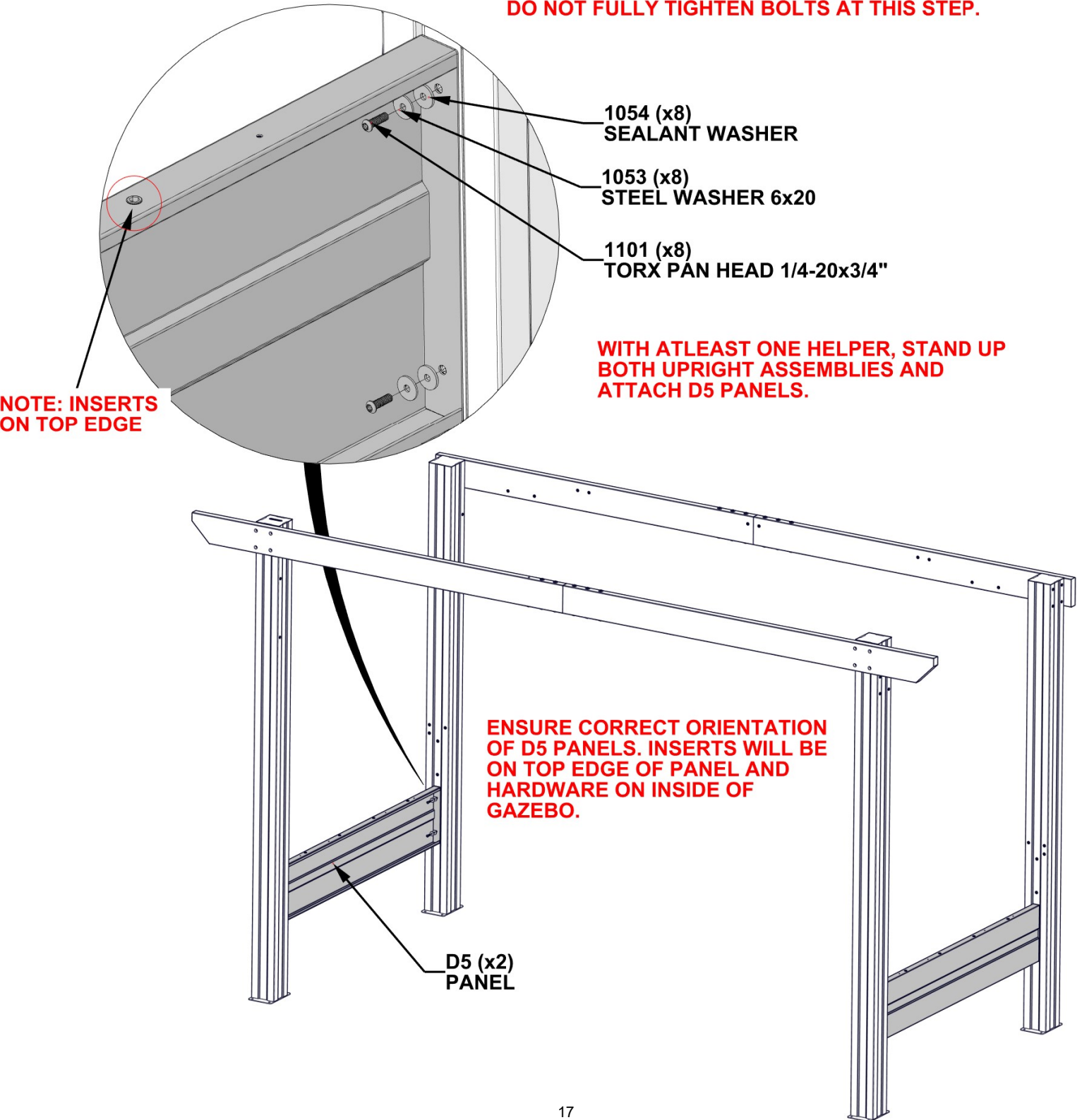
# STEP 10 - GAZEBO ASSEMBLY

QTY	PART NUMBER	DESCRIPTION
8	H101101	TORX PAN HEAD 1/4-20x3/4"
8	H101054	SEALANT WASHER
8	H101053	STEEL WASHER 6x20



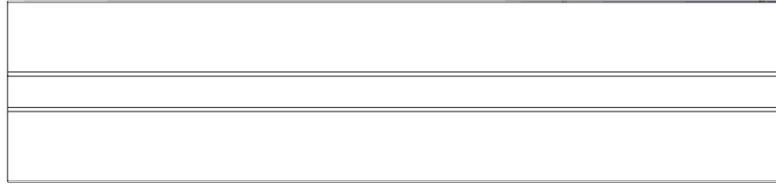
D5 PANEL - A4M01764  
(x2) 1 7/16"x10 9/16"x55 3/8" (36x269x1407)

**DO NOT FULLY TIGHTEN BOLTS AT THIS STEP.**



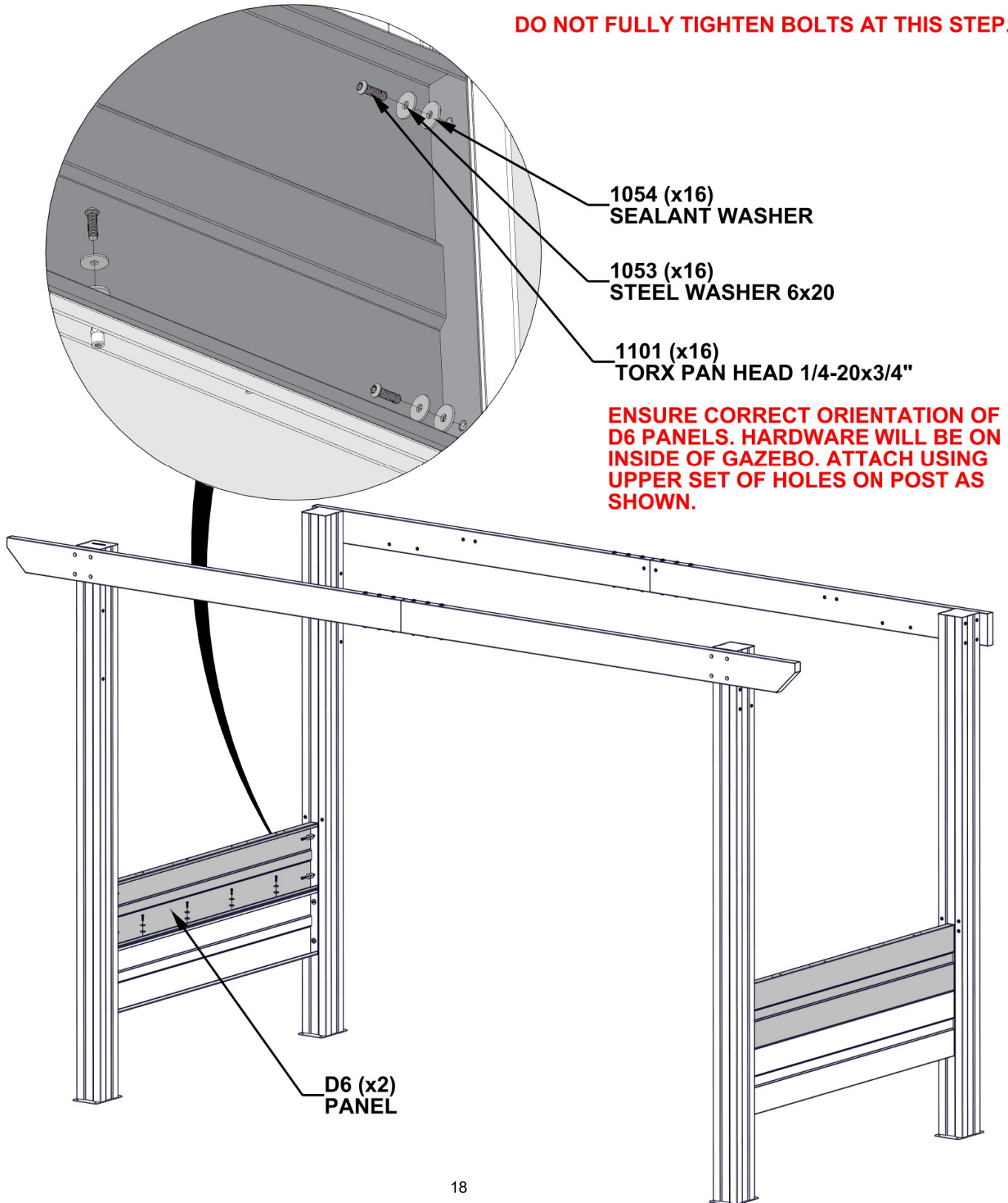
# STEP 11 - GAZEBO ASSEMBLY

QTY	PART NUMBER	DESCRIPTION
16	H101101	TORX PAN HEAD 1/4-20x3/4"
16	H101054	SEALANT WASHER
16	H101053	STEEL WASHER 6x20



D6 PANEL - A4M01765  
(x2) 1 7/16"x10 9/16"x55 3/8" (36x269x1407)

**DO NOT FULLY TIGHTEN BOLTS AT THIS STEP.**



1054 (x16)  
SEALANT WASHER

1053 (x16)  
STEEL WASHER 6x20

1101 (x16)  
TORX PAN HEAD 1/4-20x3/4"

**ENSURE CORRECT ORIENTATION OF D6 PANELS. HARDWARE WILL BE ON INSIDE OF GAZEBO. ATTACH USING UPPER SET OF HOLES ON POST AS SHOWN.**

D6 (x2)  
PANEL

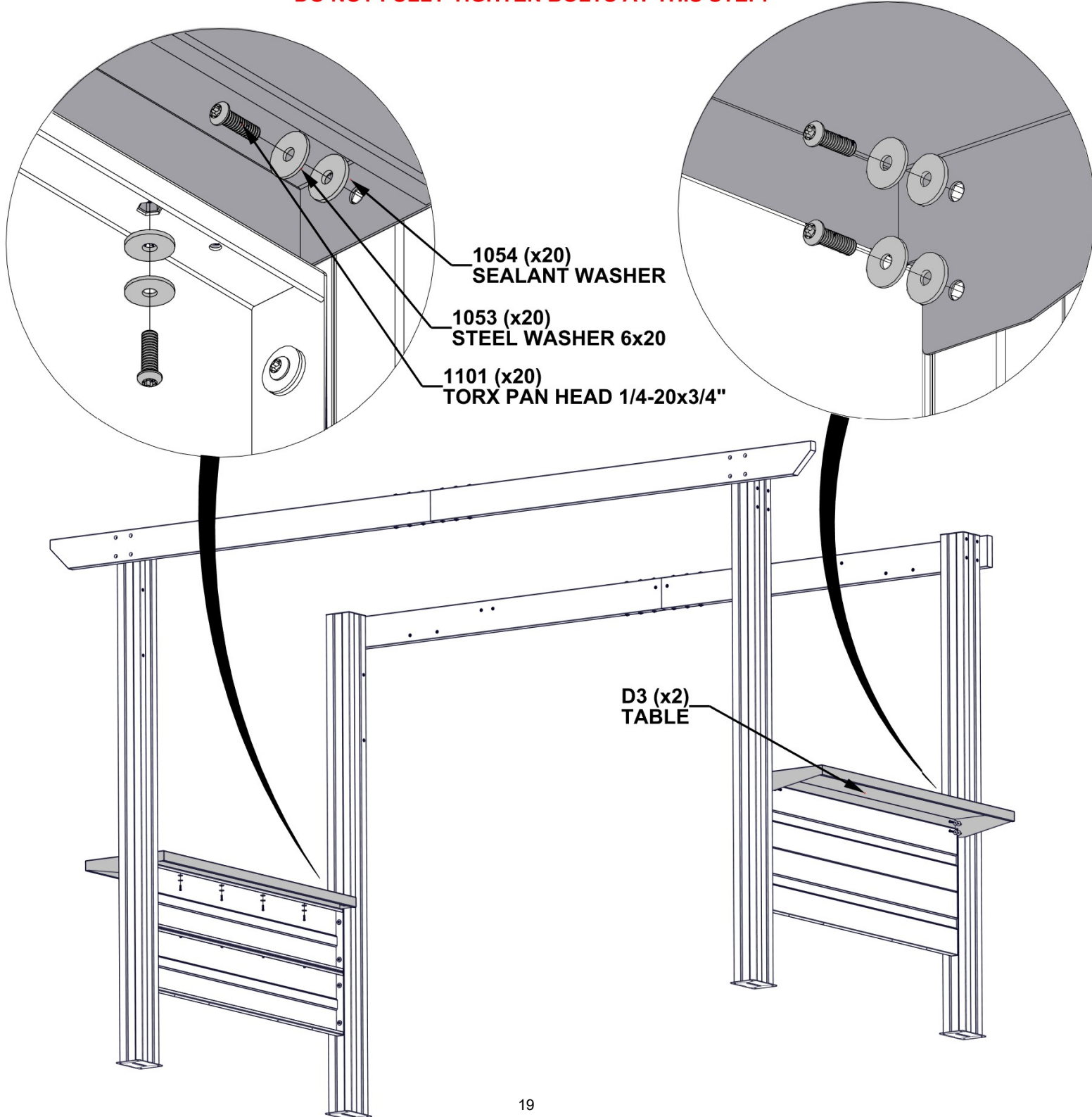
# STEP 12 - GAZEBO ASSEMBLY

QTY	PART NUMBER	DESCRIPTION
20	H101101	TORX PAN HEAD 1/4-20x3/4"
20	H101054	SEALANT WASHER
20	H101053	STEEL WASHER 6x20



D3 TABLE - A4M01766  
(x2) 3 1/4"x16"x55" (82x407x1397)

**DO NOT FULLY TIGHTEN BOLTS AT THIS STEP.**



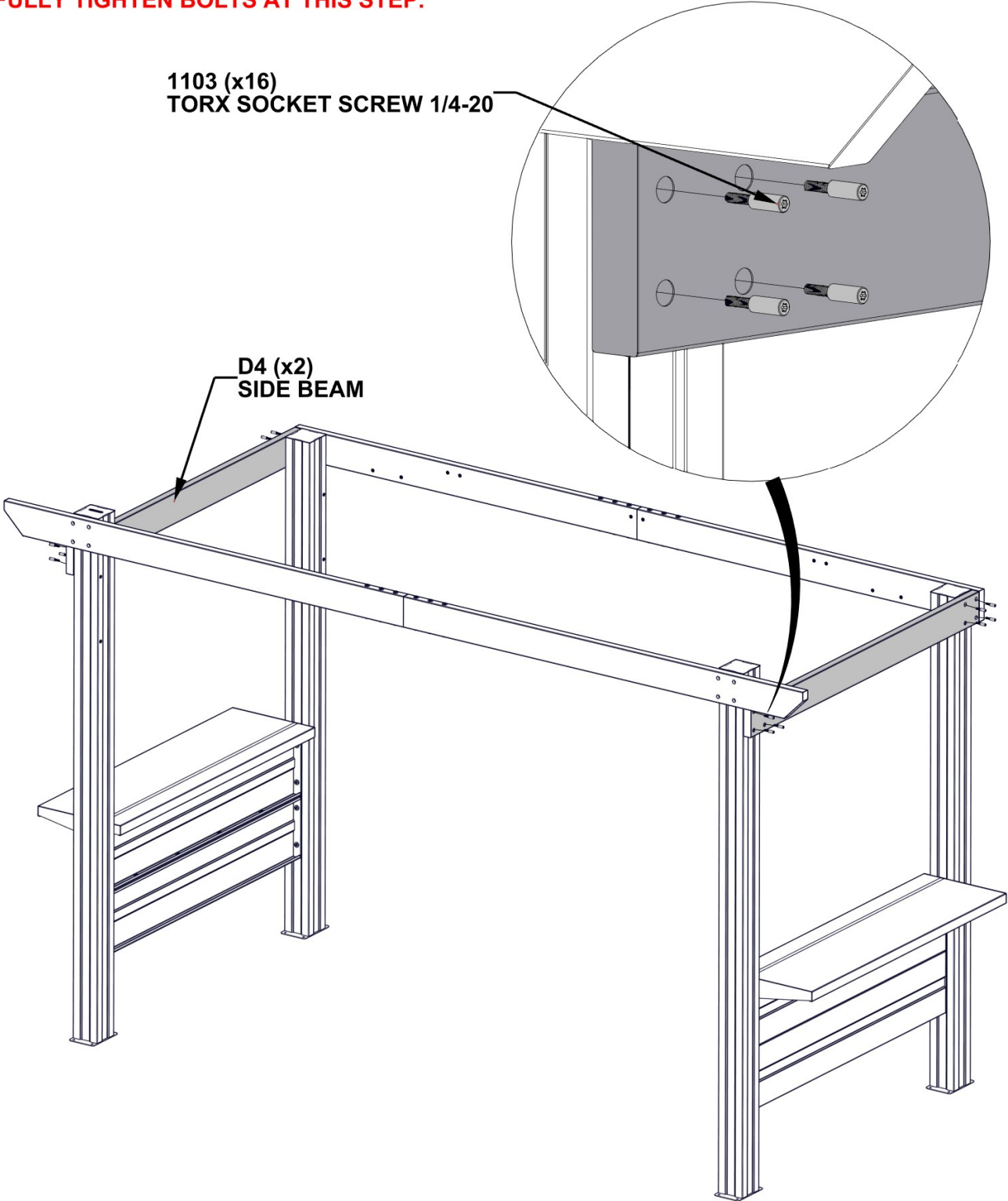
# STEP 13 - GAZEBO ASSEMBLY

QTY	PART NUMBER	DESCRIPTION
16	H101103	TORX SOCKET SCREW 1/4-20



D4 SIDE BEAM - A4M01761  
(x2) 1 7/16"x5 1/4"x64 9/16" (36x134x1640)

**DO NOT FULLY TIGHTEN BOLTS AT THIS STEP.**

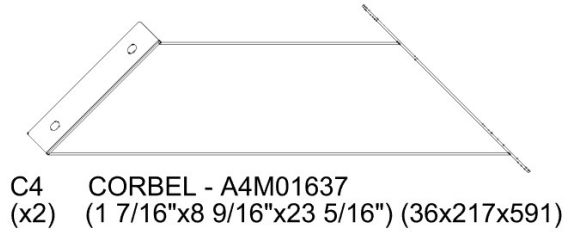
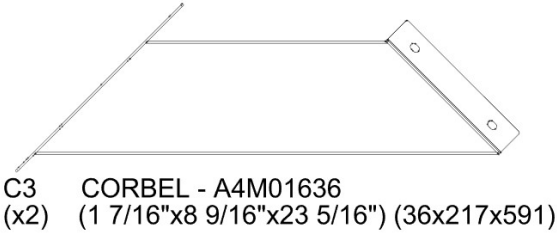


1103 (x16)  
TORX SOCKET SCREW 1/4-20

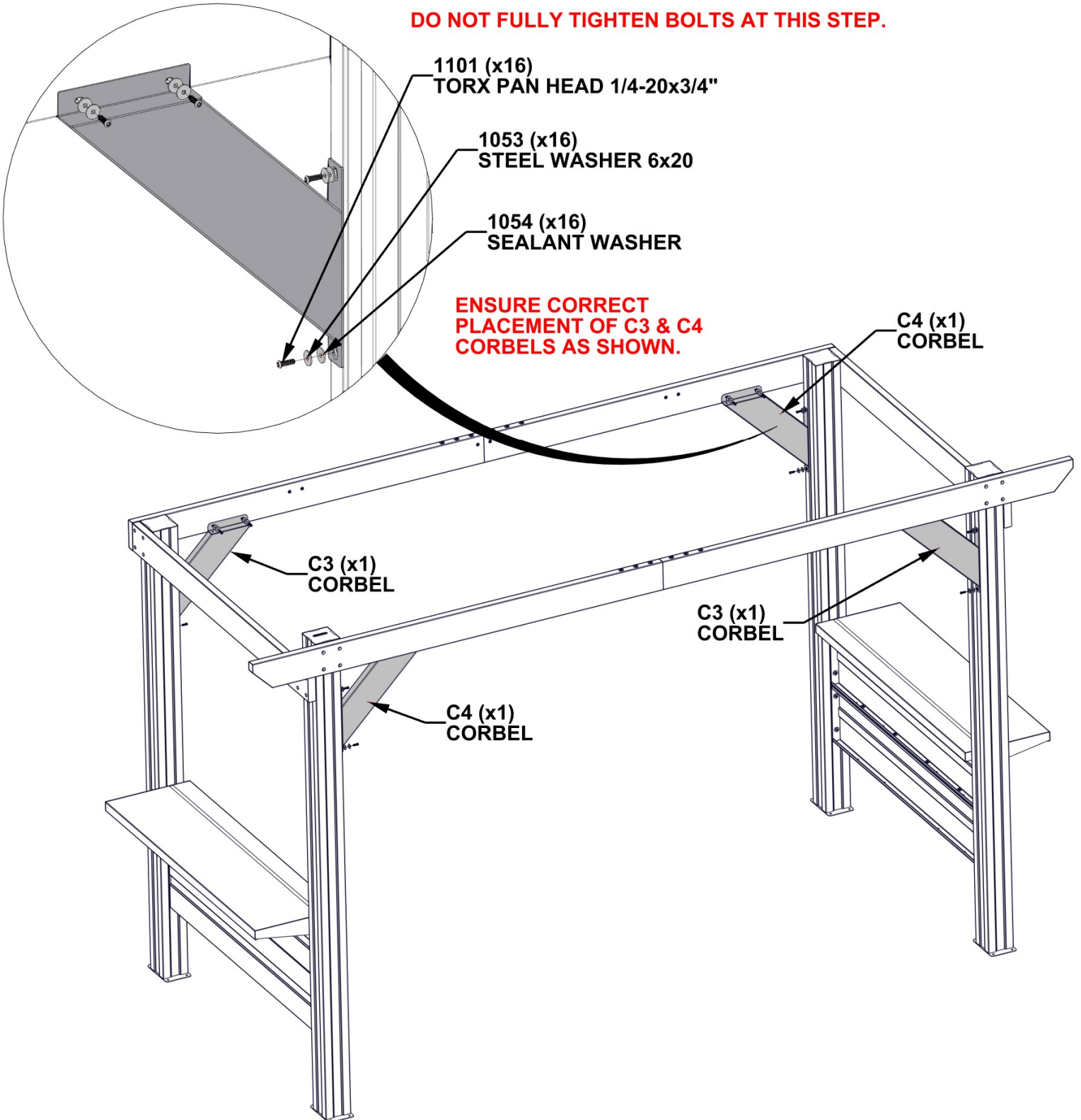
D4 (x2)  
SIDE BEAM

# STEP 14 - GAZEBO ASSEMBLY

QTY	PART NUMBER	DESCRIPTION
16	H101101	TORX PAN HEAD 1/4-20x3/4"
16	H101054	SEALANT WASHER
16	H101053	STEEL WASHER 6x20



**DO NOT FULLY TIGHTEN BOLTS AT THIS STEP.**

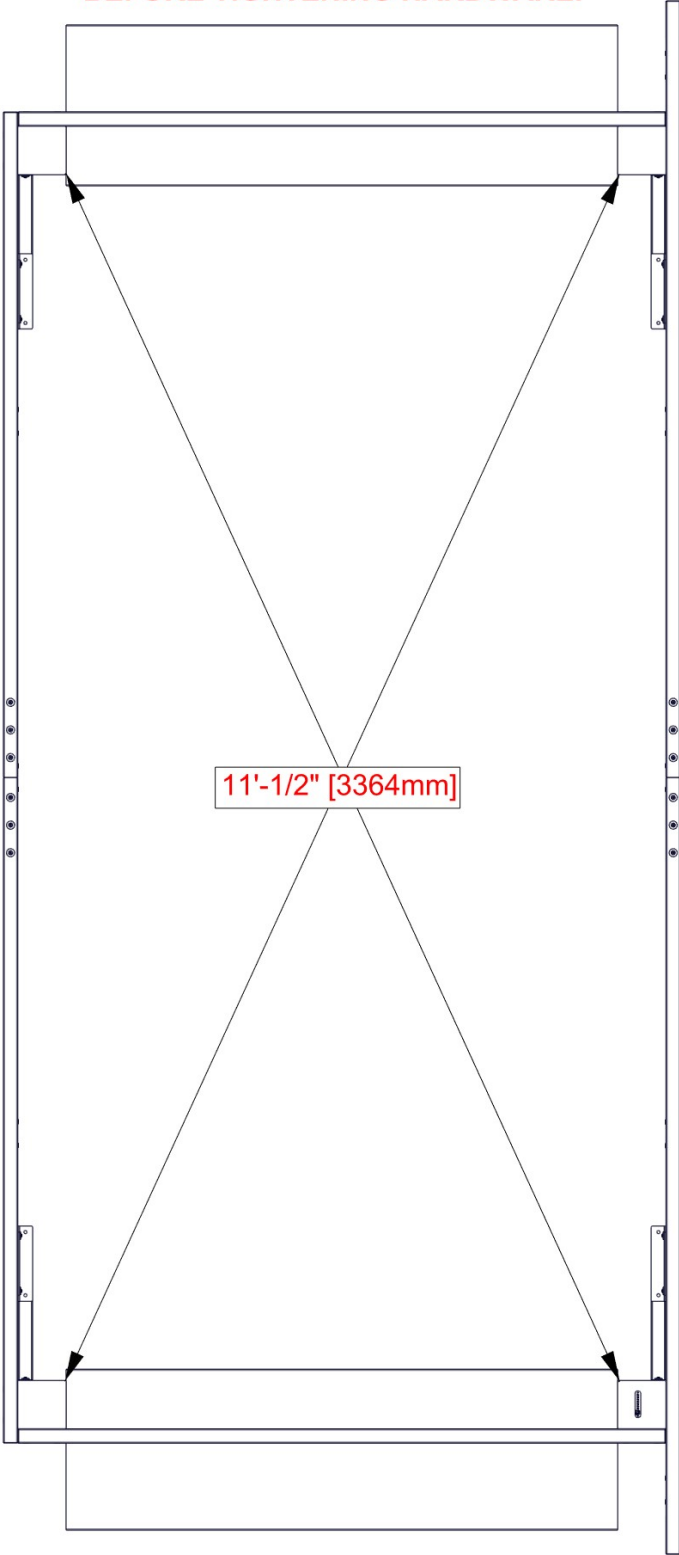


# STEP 15 - SQUARE ASSEMBLY

**CRITICAL: SQUARE ASSEMBLY BEFORE PROCEEDING TO NEXT STEPS.  
ONCE ASSEMBLY IS SQUARED, FULLY TIGHTEN ALL HARDWARE.**

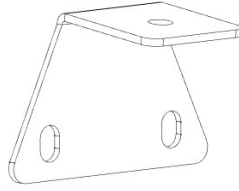
MEASUREMENTS TAKEN FROM INSIDE POST CORNER TO INSIDE POST CORNER.

**NOTE: LEVEL TABLES AS NEEDED  
BEFORE TIGHTENING HARDWARE.**

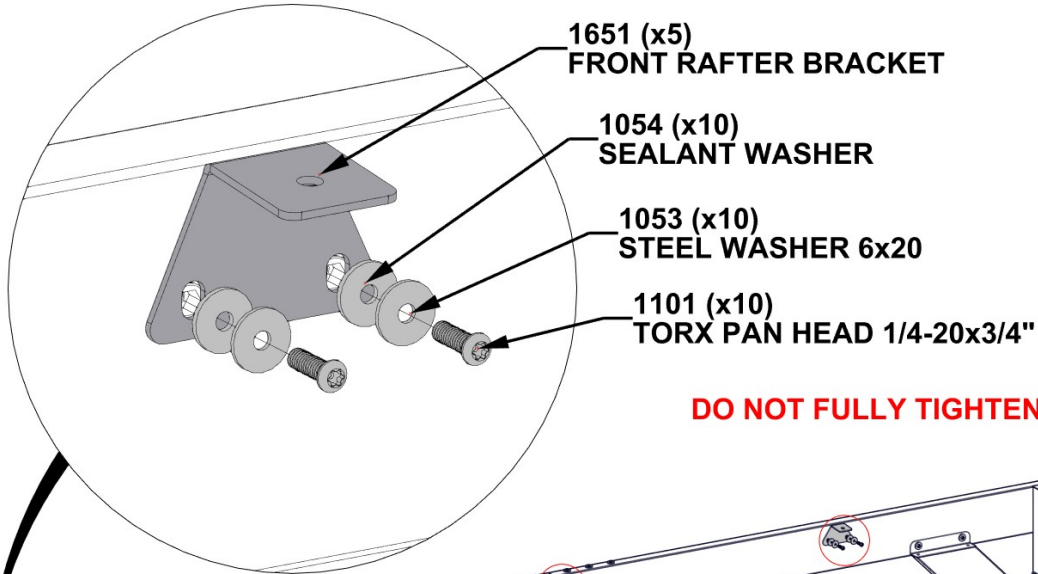


# STEP 16 - GAZEBO ASSEMBLY

QTY	PART NUMBER	DESCRIPTION
10	H101101	TORX PAN HEAD 1/4-20x3/4"
10	H101054	SEALANT WASHER
10	H101053	STEEL WASHER 6x20



A4M01651 FRONT RAFTER BRACKET  
(x5)



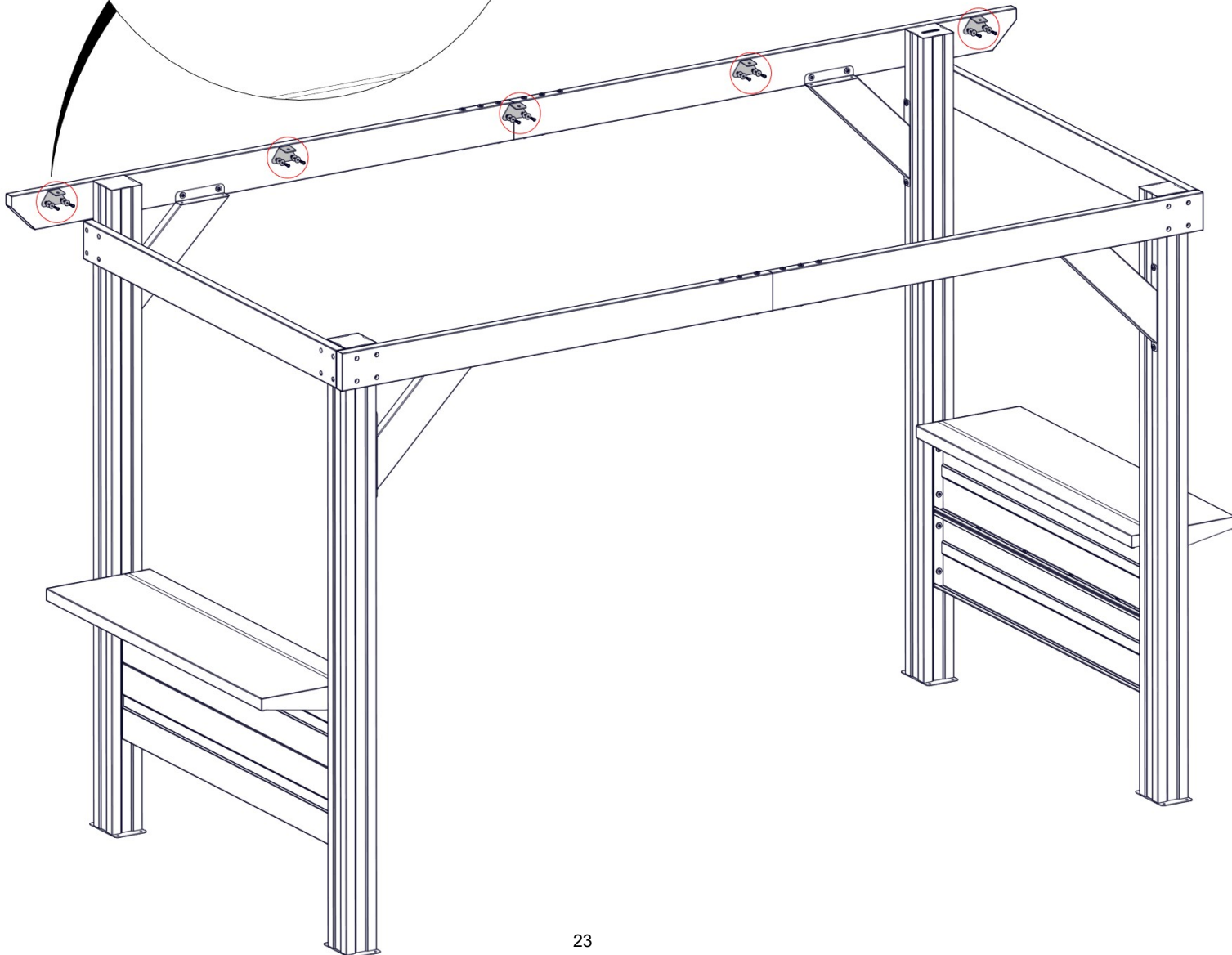
1651 (x5)  
FRONT RAFTER BRACKET

1054 (x10)  
SEALANT WASHER

1053 (x10)  
STEEL WASHER 6x20

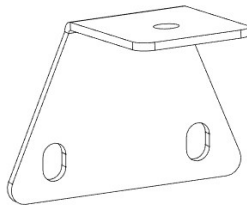
1101 (x10)  
TORX PAN HEAD 1/4-20x3/4"

**DO NOT FULLY TIGHTEN BOLTS AT THIS STEP.**

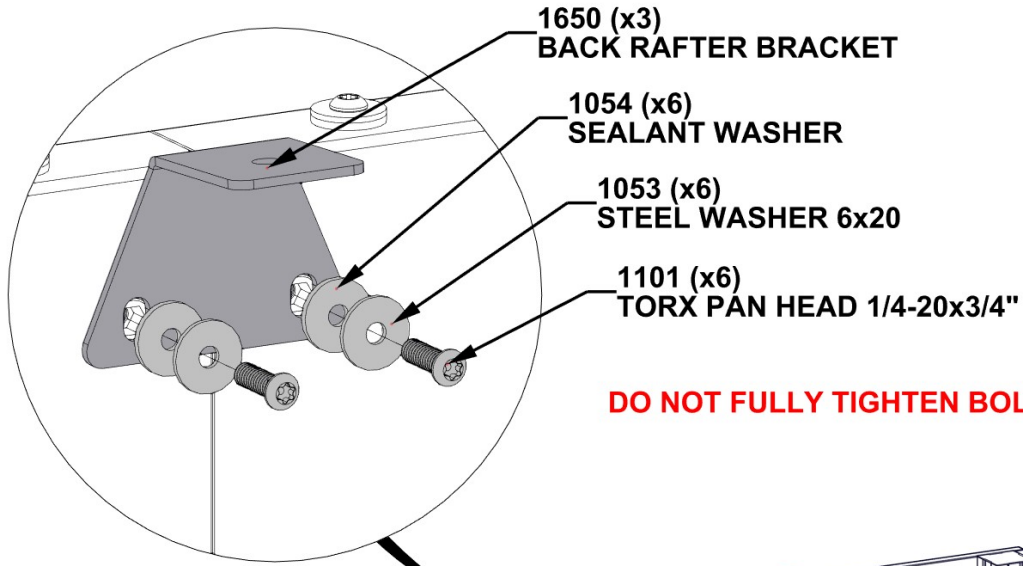


# STEP 17 - GAZEBO ASSEMBLY

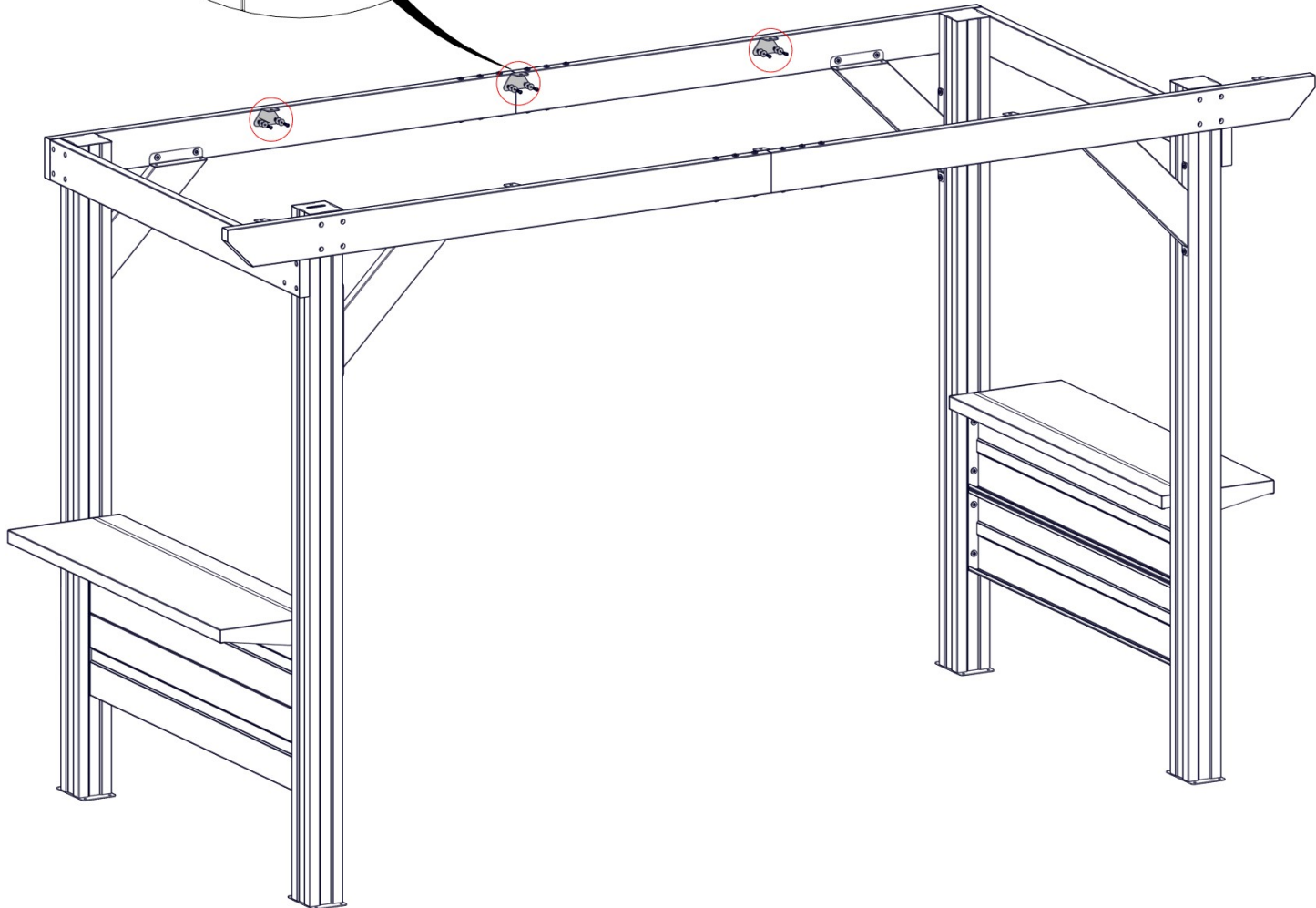
QTY	PART NUMBER	DESCRIPTION
6	H101101	TORX PAN HEAD 1/4-20x3/4"
6	H101054	SEALANT WASHER
6	H101053	STEEL WASHER 6x20



1650 (x3) BACK RAFTER BRACKET



**DO NOT FULLY TIGHTEN BOLTS AT THIS STEP.**





# STEP 18 - ROOF ASSEMBLY

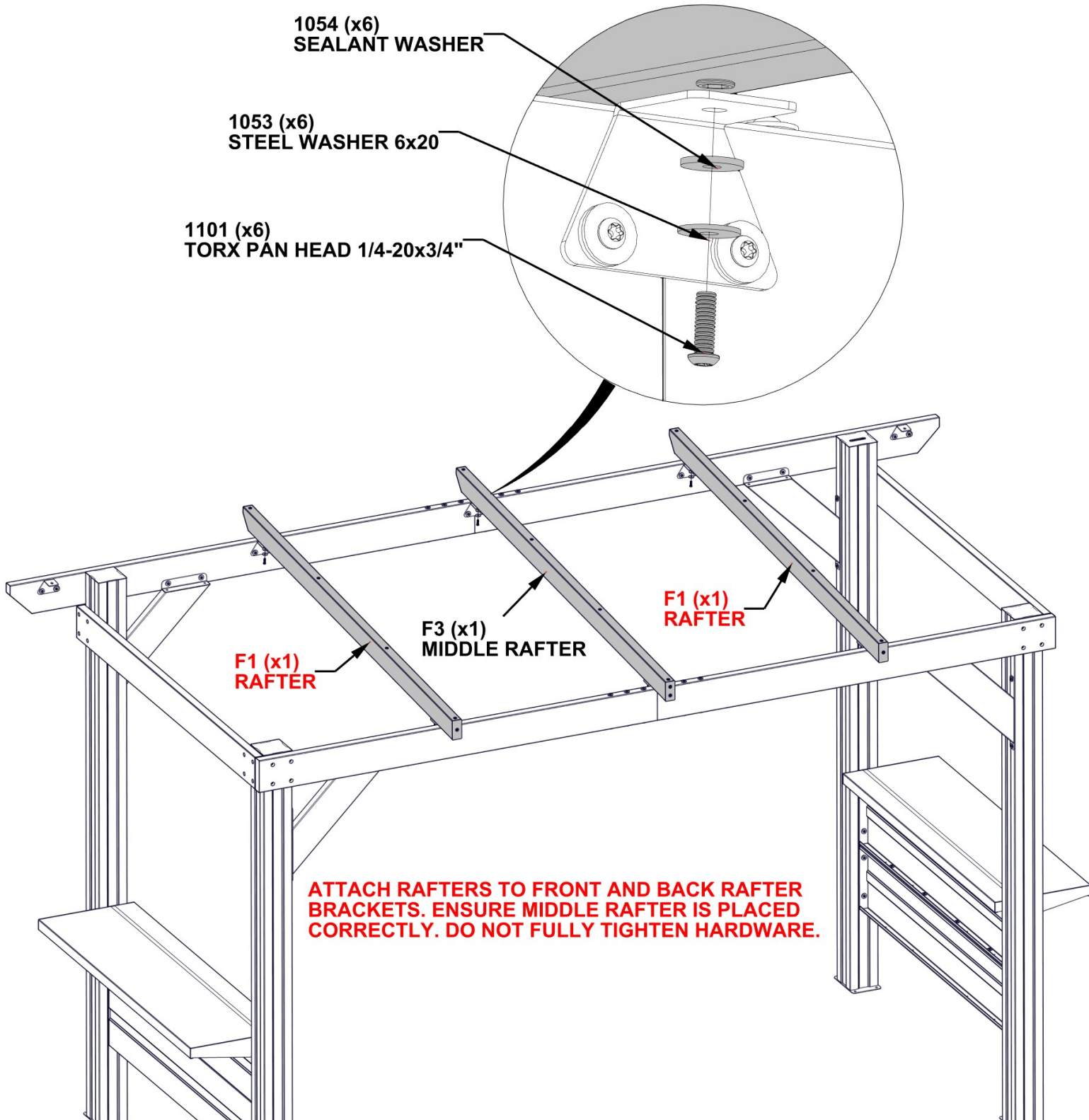
QTY	PART NUMBER	DESCRIPTION
6	H101101	TORX PAN HEAD 1/4-20x3/4"
6	H101054	SEALANT WASHER
6	H101053	STEEL WASHER 6x20



F1 RAFTER - A4M01767  
(x2) 1 9/16"x3 1/8"x76 1/4" (40x80x1937)



F3 MIDDLE RAFTER - A4M01769  
(x1) 1 9/16"x3 1/8"x76 1/4" (40x80x1937)



# STEP 19 - ROOF ASSEMBLY

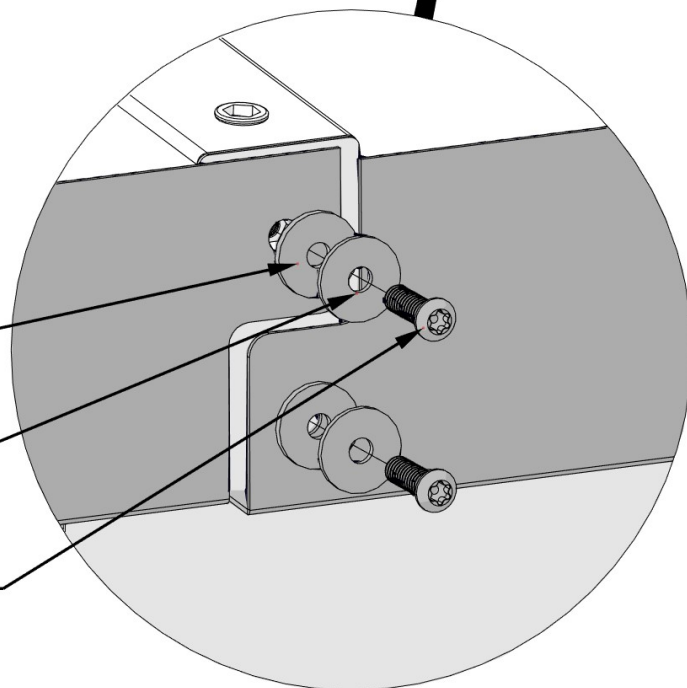
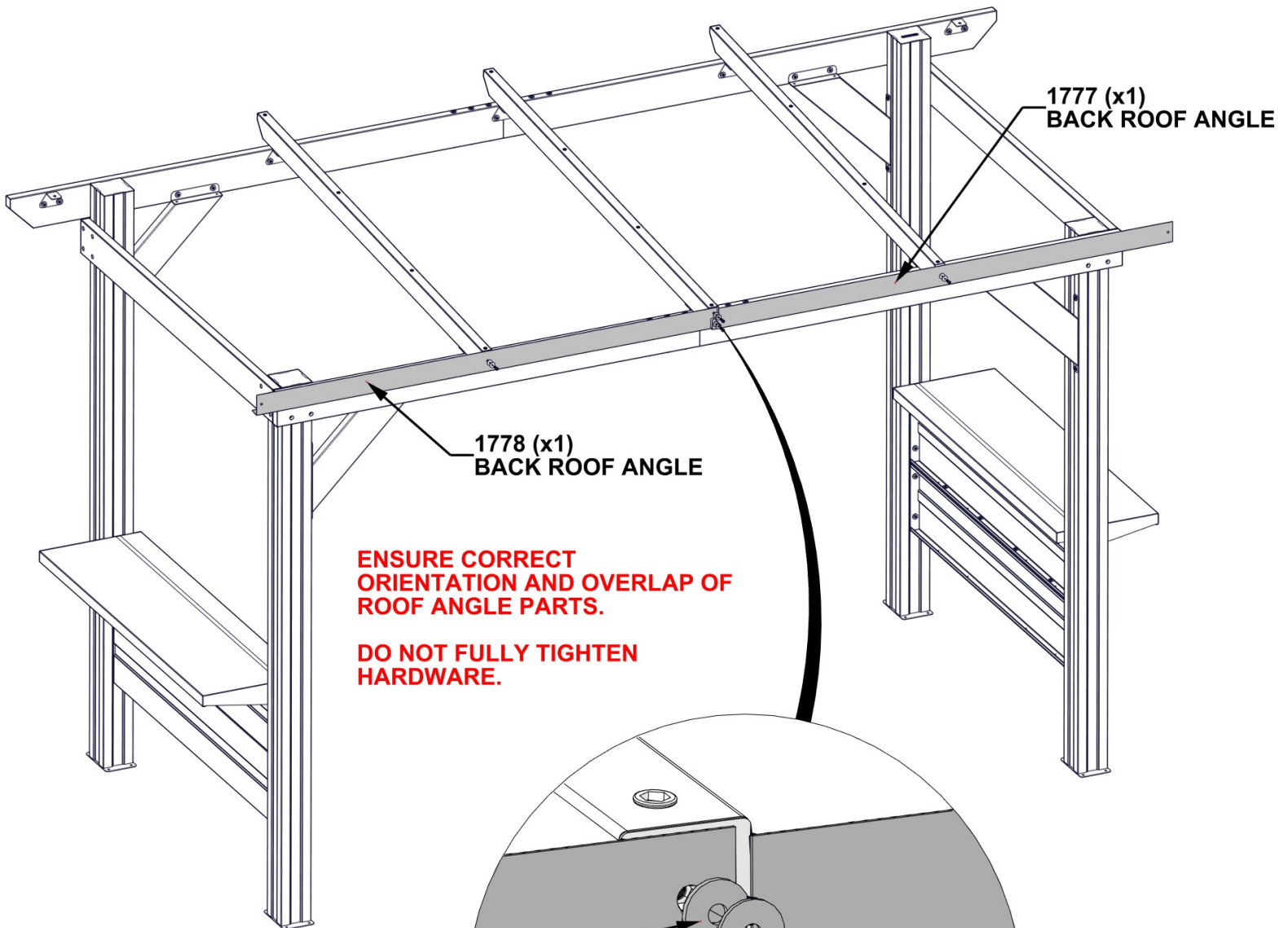
QTY	PART NUMBER	DESCRIPTION
4	H101101	TORX PAN HEAD 1/4-20x3/4"
4	H101054	SEALANT WASHER
4	H101053	STEEL WASHER 6x20



A4M01777 BACK ROOF ANGLE (x1)



A4M01778 BACK ROOF ANGLE (x1)



1054 (x4)  
SEALANT WASHER

1053 (x4)  
STEEL WASHER 6x20

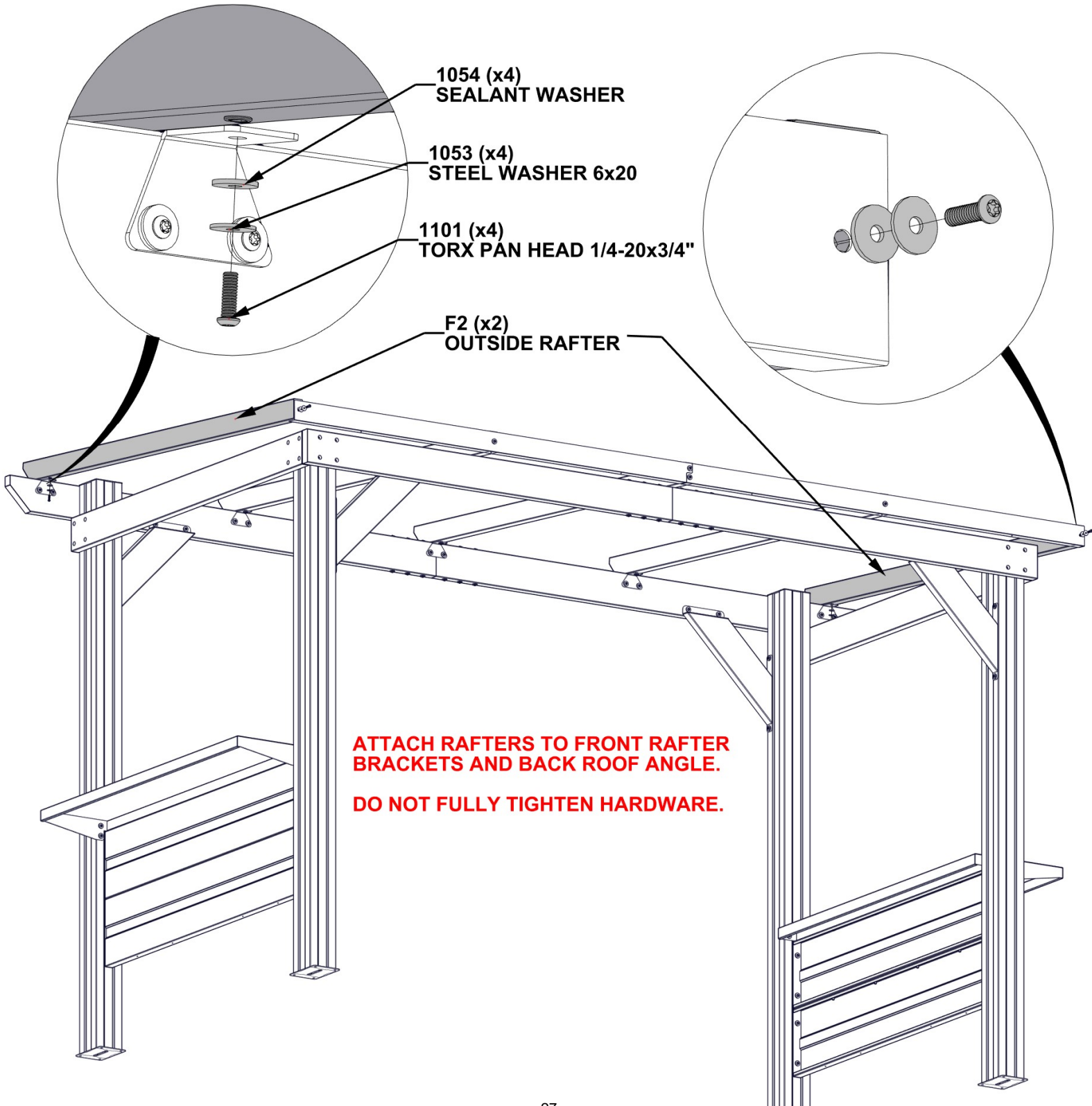
1101 (x4)  
TORX PAN HEAD 1/4-20x3/4"

# STEP 20 - ROOF PANEL

QTY	PART NUMBER	DESCRIPTION
4	H101101	TORX PAN HEAD 1/4-20x3/4"
4	H101054	SEALANT WASHER
4	H101053	STEEL WASHER 6x20



F2 OUTSIDE RAFTER - A4M01768  
(x2) 1 9/16"x3 1/8"x76 1/4" (40x80x1937)

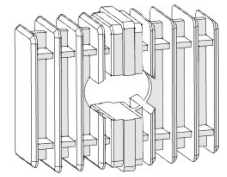


**ATTACH RAFTERS TO FRONT RAFTER BRACKETS AND BACK ROOF ANGLE.  
DO NOT FULLY TIGHTEN HARDWARE.**

# STEP 21 - PURLIN ASSEMBLY



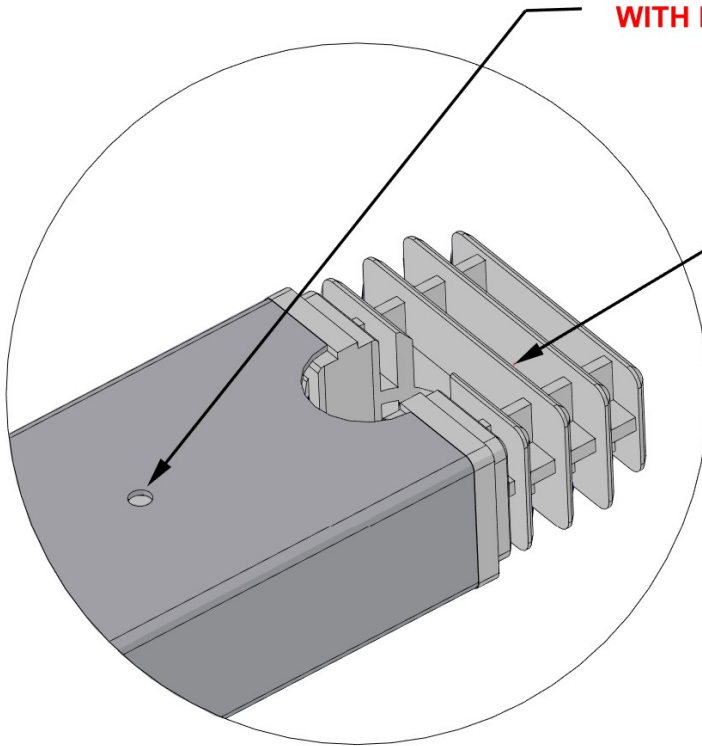
E1 PURLIN - A4M01770  
(x4) 13/16"x1 9/16"x71 7/8" (20x40x1826)



A6P00530 2-WAY SQUARE PLUG  
(x4)

COMPLETE THIS STEP 4 TIMES

**ENSURE E1 IS ORIENTED CORRECTLY  
WITH PILOT HOLE FACING UP.**



530 (x1)  
2-WAY SQUARE PLUG

**USE A RUBBER Mallet TO TAP  
2-WAY SQUARE PLUG INTO END OF  
PURLIN.**

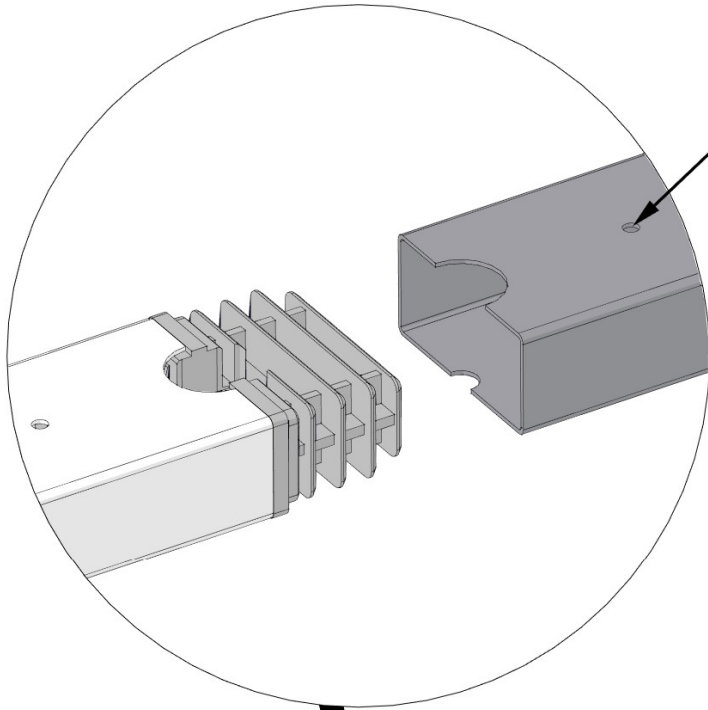
E1 (x1)  
PURLIN

# STEP 22 - PURLIN ASSEMBLY



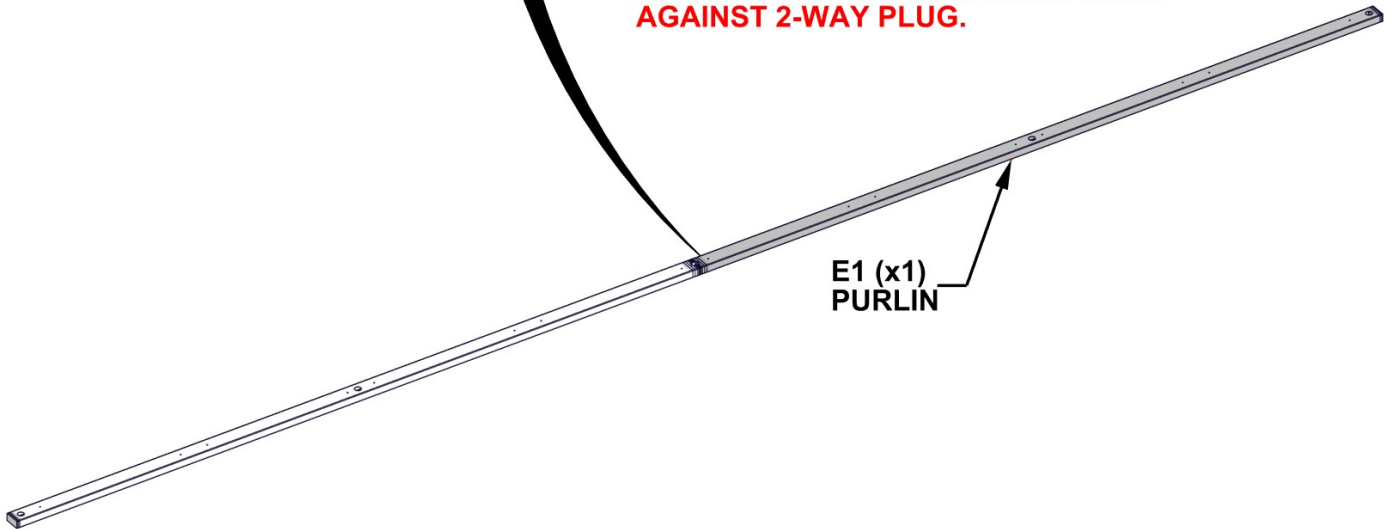
E1 PURLIN - A4M01770  
(x4) 13/16"x1 9/16"x71 15/16" (20x40x1826)

COMPLETE THIS STEP 4 TIMES



**ENSURE E1 IS ORIENTED CORRECTLY WITH PILOT HOLE FACING UP.**

**USE A RUBBER Mallet TO TAP ENDS OF EACH PURLIN UNTIL TIGHT AGAINST 2-WAY PLUG.**



E1 (x1)  
PURLIN

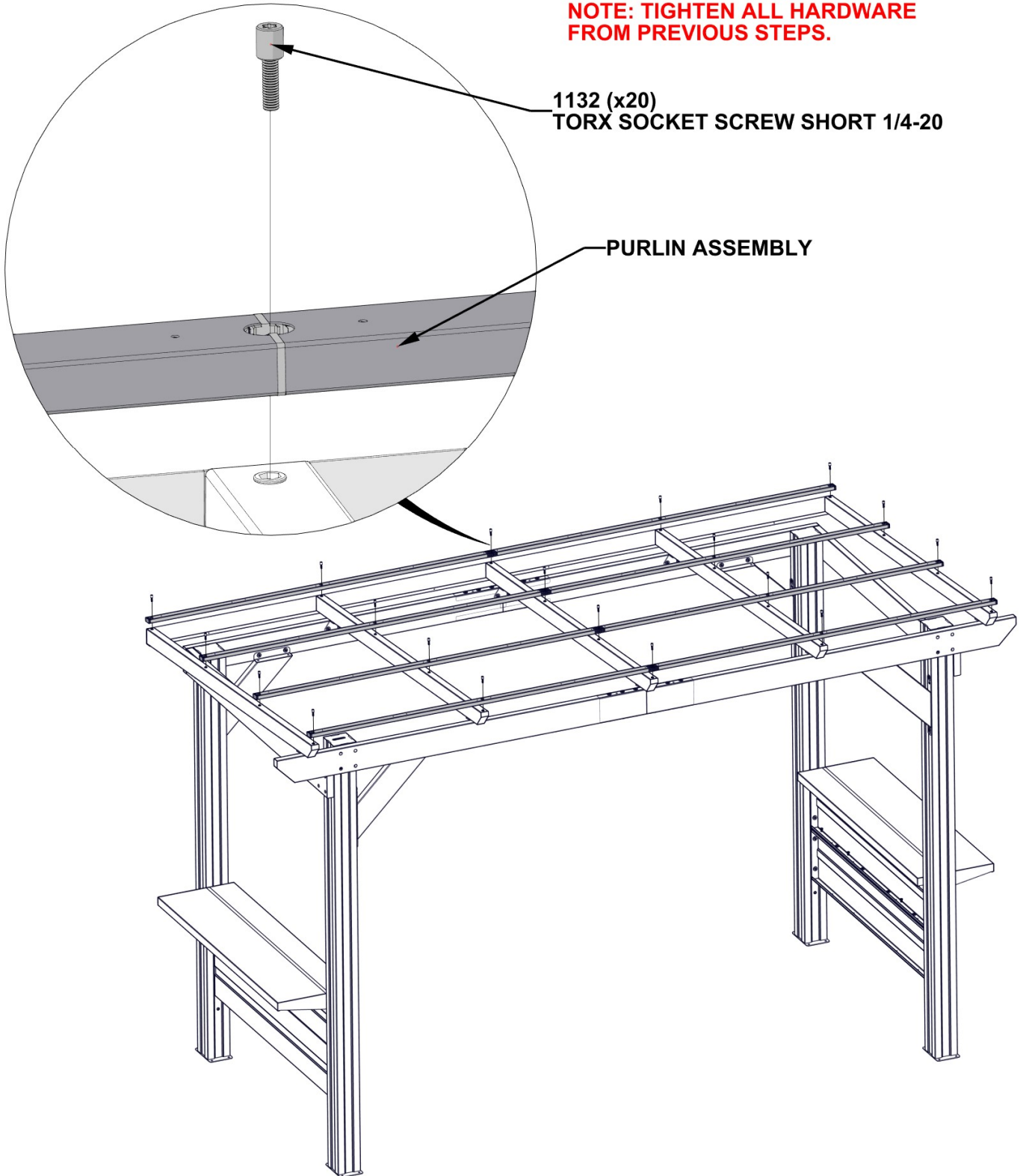
# STEP 23 - ROOF ASSEMBLY

QTY	PART NUMBER	DESCRIPTION
20	H101132	TORX SOCKET SCREW SHORT 1/4-20



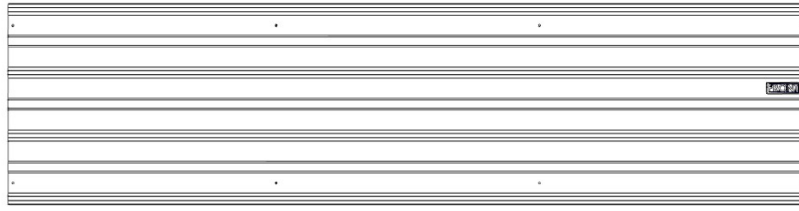
PURLIN ASSEMBLY - STEPS 21 - 22

**NOTE: TIGHTEN ALL HARDWARE FROM PREVIOUS STEPS.**



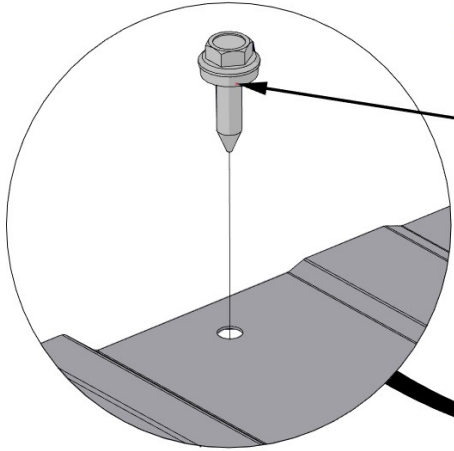
# STEP 24 - ROOF ASSEMBLY

QTY	PART NUMBER	DESCRIPTION
8	H101117	SCREW WOODGRIP 10-16x3/4" BLK

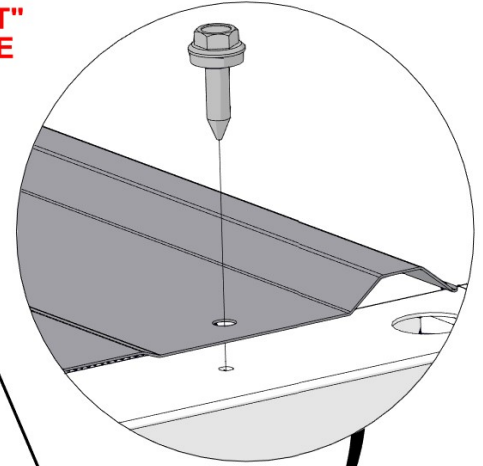


A4M01771 29GA STEEL SHEETING  
(x1)

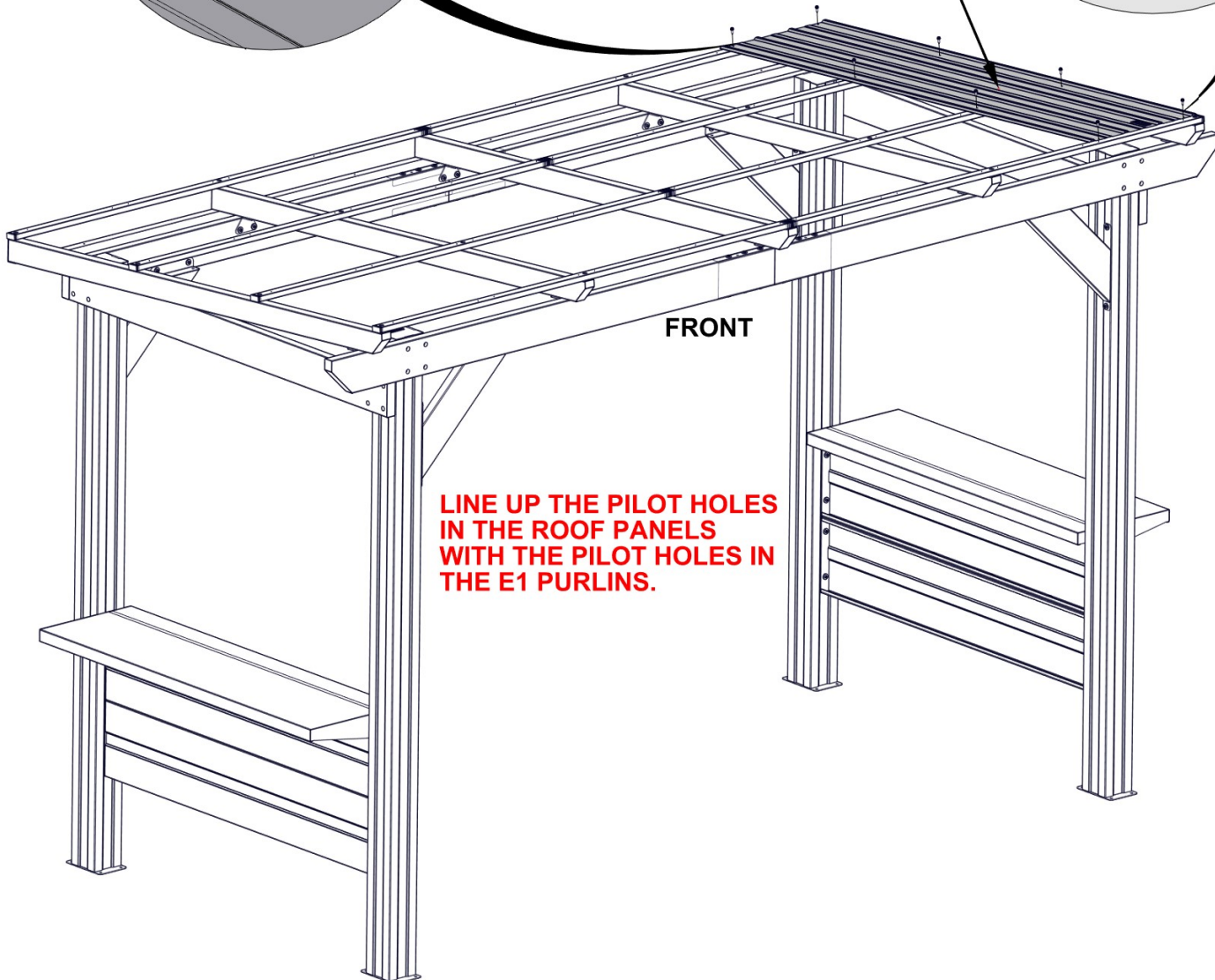
**ORIENT ROOF PANELS WITH "FRONT" STICKER TOWARDS THE FRONT SIDE OF THE GAZEBO AS SHOWN.**



1117 (x8)  
SCREW - 3/4"



1771 (x1)  
29GA STEEL SHEETING

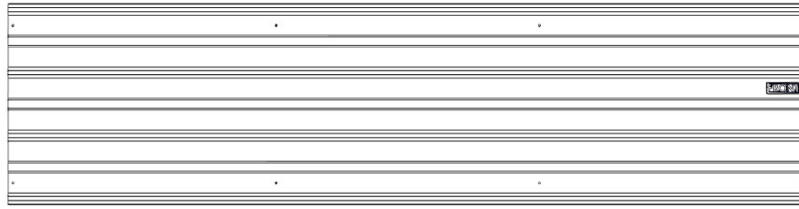


FRONT

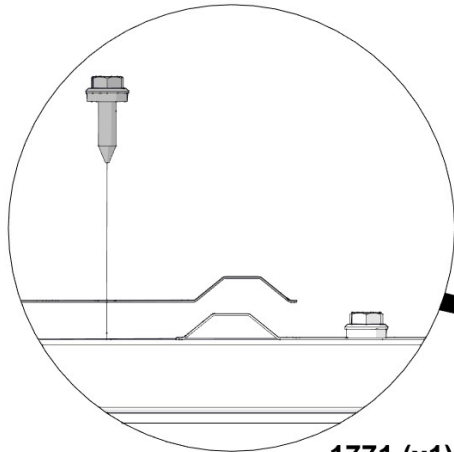
**LINE UP THE PILOT HOLES IN THE ROOF PANELS WITH THE PILOT HOLES IN THE E1 PURLINS.**

# STEP 25 - ROOF ASSEMBLY

QTY	PART NUMBER	DESCRIPTION
8	H101117	SCREW WOODGRIP 10-16x3/4" BLK

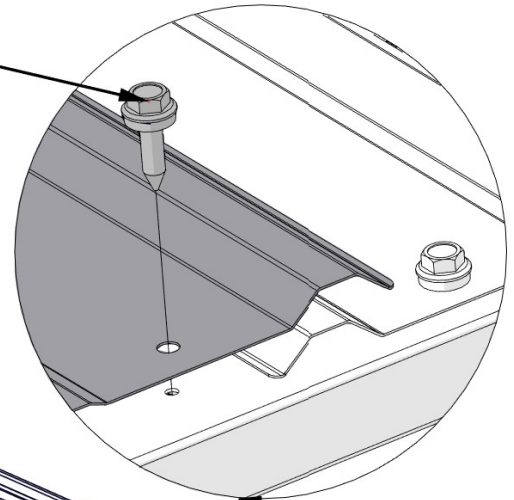


A4M01771 29GA STEEL SHEETING  
(x1)

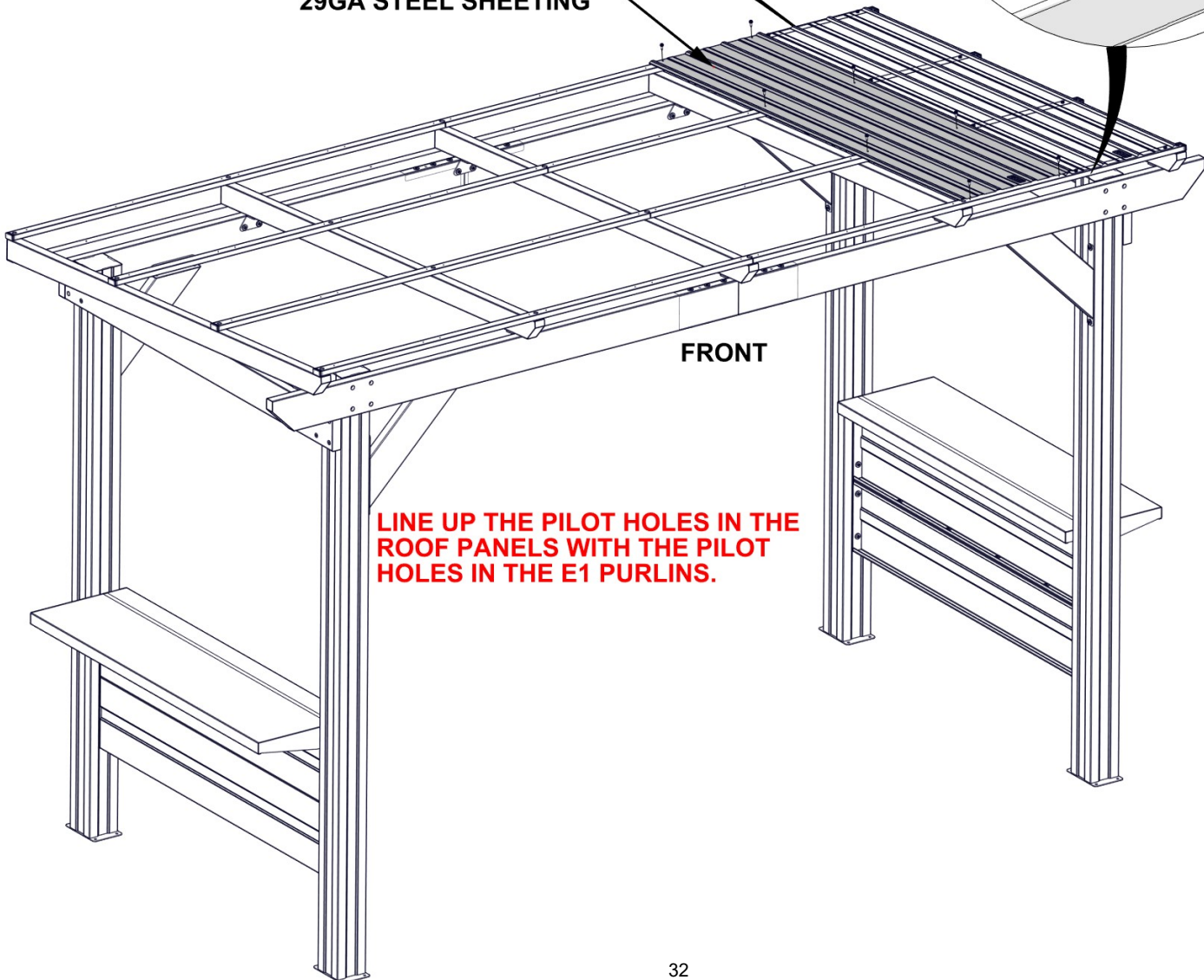


1117 (x8)  
SCREW - 3/4"

**ORIENT ROOF PANELS WITH "FRONT" STICKER TOWARDS THE FRONT SIDE OF THE GAZEBO AS SHOWN.**



1771 (x1)  
29GA STEEL SHEETING

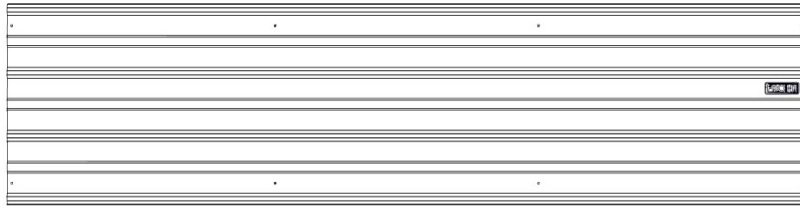


**LINE UP THE PILOT HOLES IN THE ROOF PANELS WITH THE PILOT HOLES IN THE E1 PURLINS.**



# STEP 26 - ROOF ASSEMBLY

QTY	PART NUMBER	DESCRIPTION
48	H101117	SCREW WOODGRIP 10-16x3/4" BLK

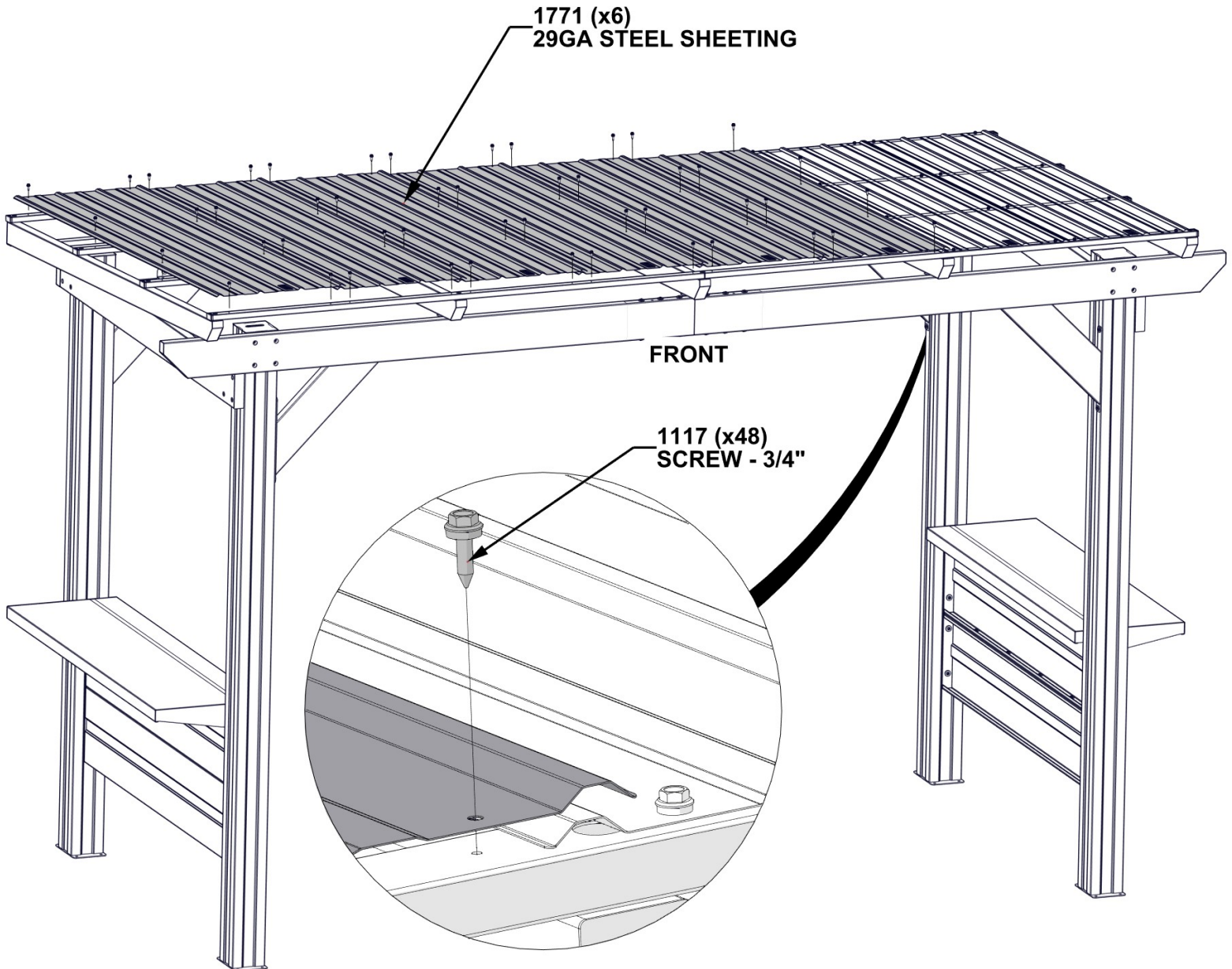


A4M01771 29GA STEEL SHEETING  
(x6)

**INSTALL THE REMAINING 6 SHEETS IN THE SAME WAY AS THE FIRST TWO.**

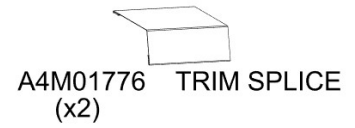
**ENSURE "FRONT" STICKER IS ORIENTED TO THE FRONT OF THE GAZEBO. LINE UP PILOT HOLES IN SHEETS WITH THE PILOT HOLES IN THE E1 PURLINS.**

**ATTACH AND FULLY TIGHTEN ALL SCREWS ON EACH PANEL BEFORE ATTACHING THE NEXT ONE. THIS MAKES IT POSSIBLE TO REACH ALL THE SCREWS WITHOUT GETTING ON THE ROOF.**



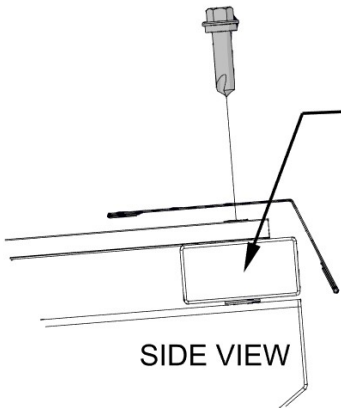
# STEP 27 - ROOF ASSEMBLY

QTY	PART NUMBER	DESCRIPTION
14	H101116	SCREW SELF TAPPING 1/4x1 BLK

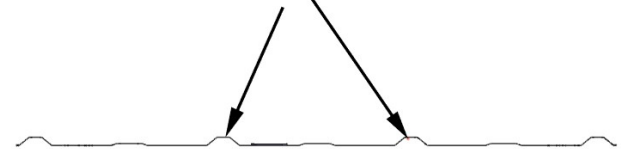


DUE TO MULTIPLE LAYERS OF METAL ON THE EDGE TRIM, IT IS RECOMMENDED THAT A 1/8" DRILL BIT IS USED TO CREATE STARTER HOLES.

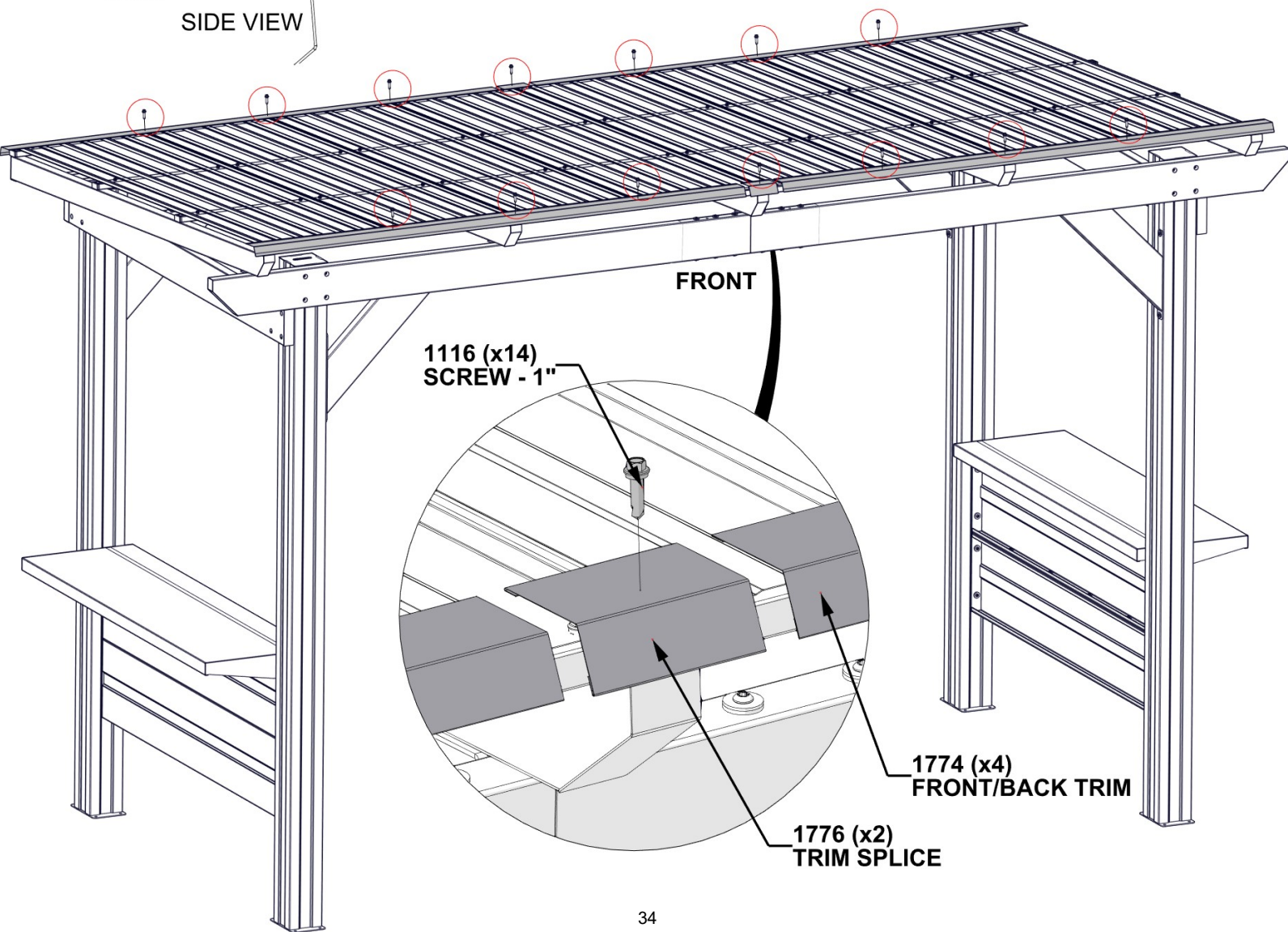
**SCREWS GO THROUGH FRONT/BACK TRIM INTO THE TOP OF THE RIBS IN THE APPROXIMATE LOCATIONS SHOWN.**



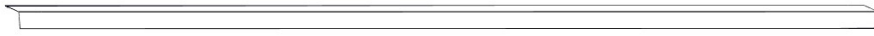
**NOTE: MAKE SURE SCREWS ARE ALIGNED WITH PURLINS**



**CENTER TRIM SPLICE ON ROOF, THEN SLIDE IN FRONT/BACK TRIM. ENSURE TRIM AND TRIM SPLICE ARE ALL CENTERED ON ROOF.**



# STEP 28A - ROOF ASSEMBLY

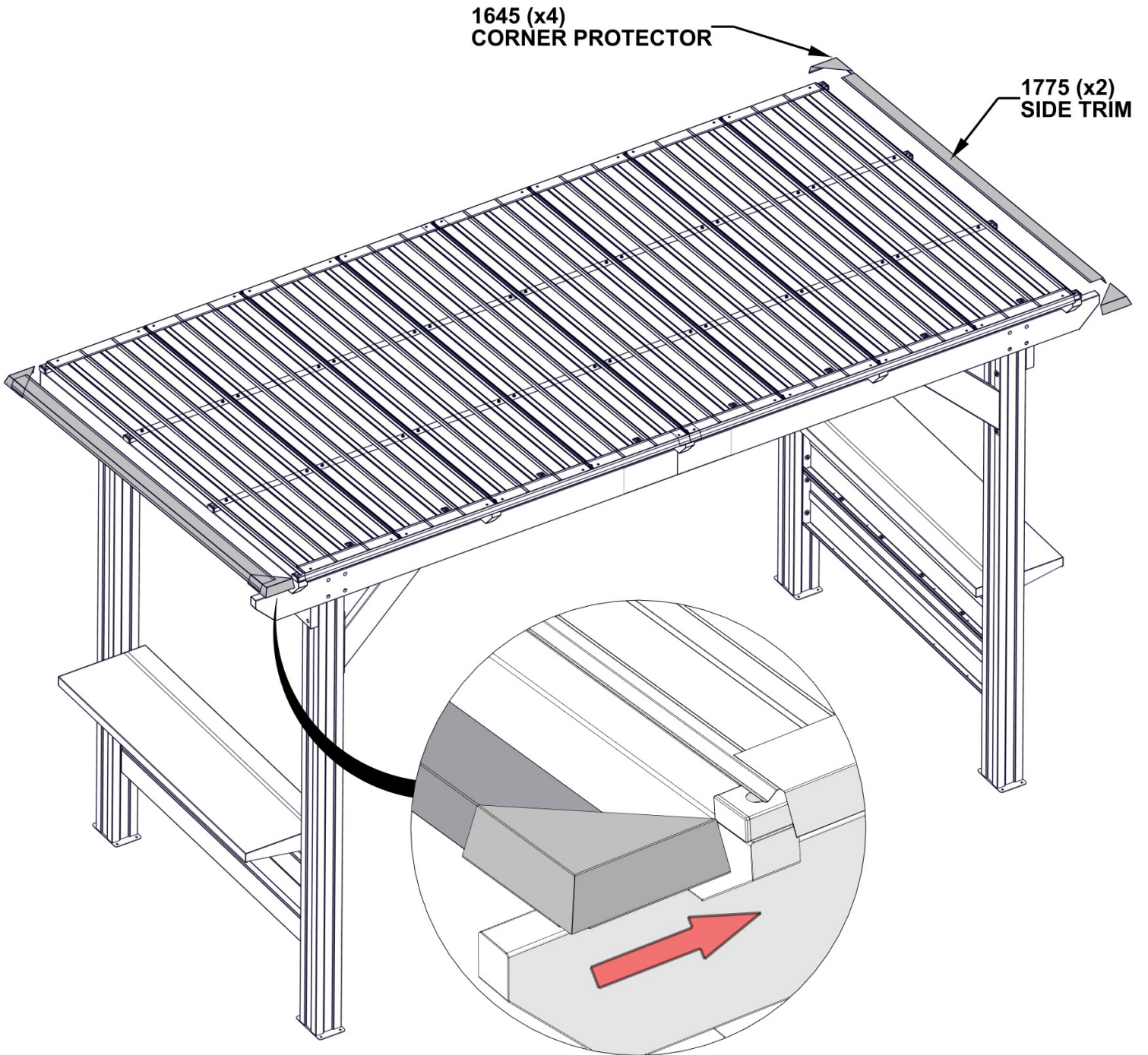


A4M01775 SIDE TRIM  
(x2)



A4M01645 CORNER PROTECTOR  
(x4)

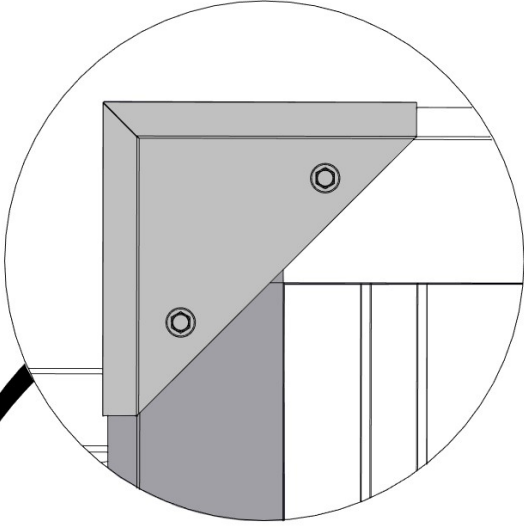
**SLIDE THE SIDE TRIM AND CORNER PROTECTORS ONTO THE FRONT AND BACK TRIM. THE CORNER PROTECTOR WILL SLIDE ONTO THE FRONT AND BACK TRIM IN THE SAME WAY THE FRONT TRIM WAS SLID INTO THE SPLICE.**



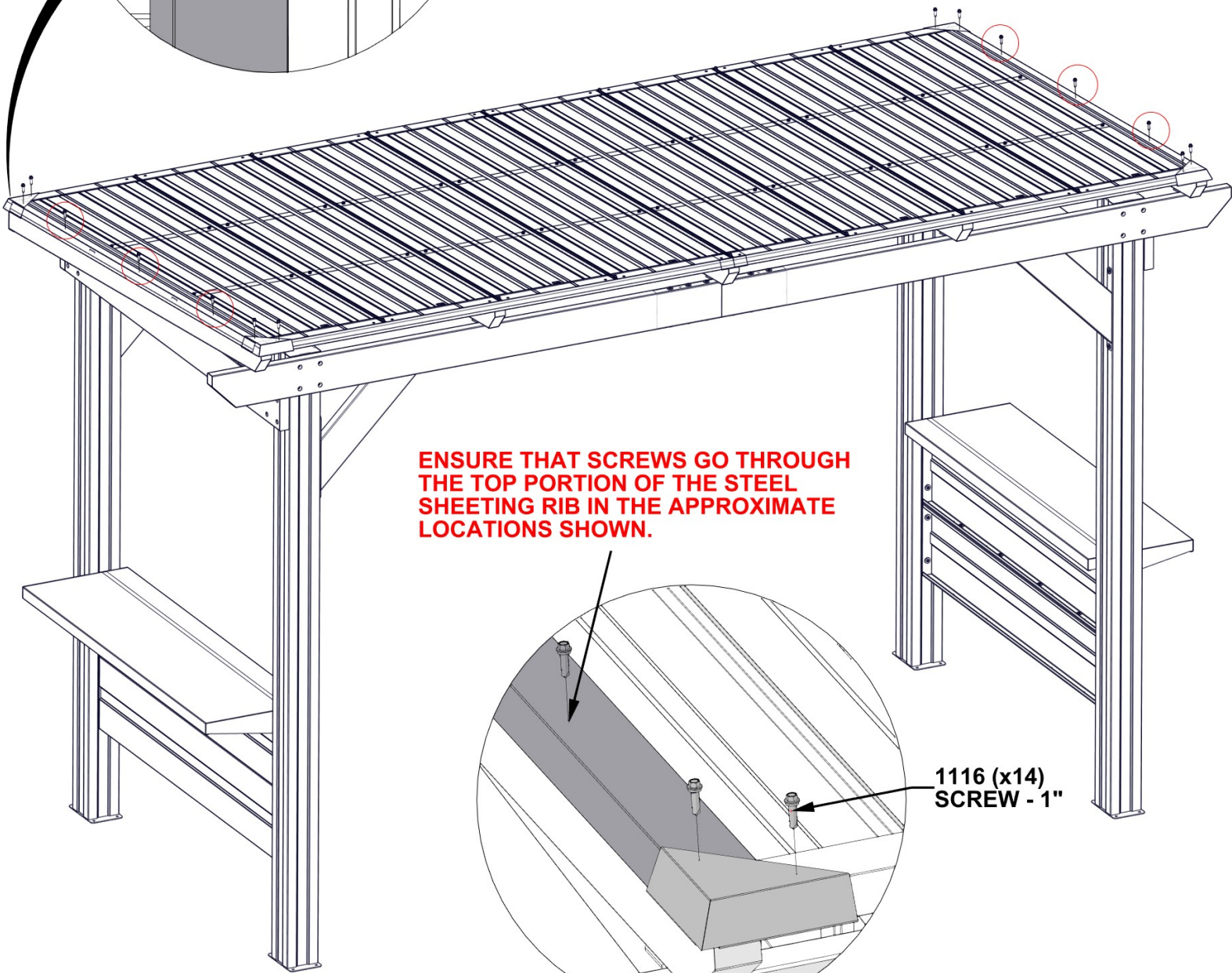
# STEP 28B - ROOF ASSEMBLY

QTY	PART NUMBER	DESCRIPTION
14	H101116	SCREW SELF TAPPING 1/4x1 BLK

DUE TO MULTIPLE LAYERS OF METAL ON THE EDGE TRIM, IT IS RECOMMENDED THAT A 1/8" DRILL BIT IS USED TO CREATE STARTER HOLES.



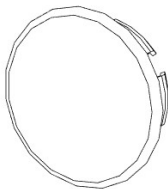
**ENSURE THAT SCREWS ARE EVENLY SPACED OUT ON THE CORNER PROTECTORS AS SHOWN.**



**ENSURE THAT SCREWS GO THROUGH THE TOP PORTION OF THE STEEL SHEETING RIB IN THE APPROXIMATE LOCATIONS SHOWN.**

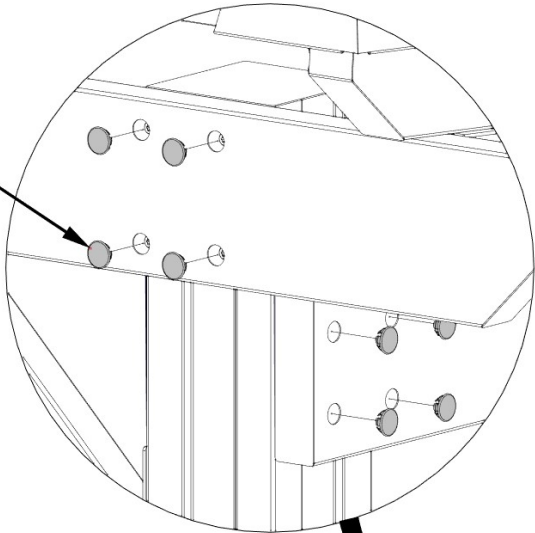
**1116 (x14)  
SCREW - 1"**

# STEP 29 - GAZEBO ASSEMBLY

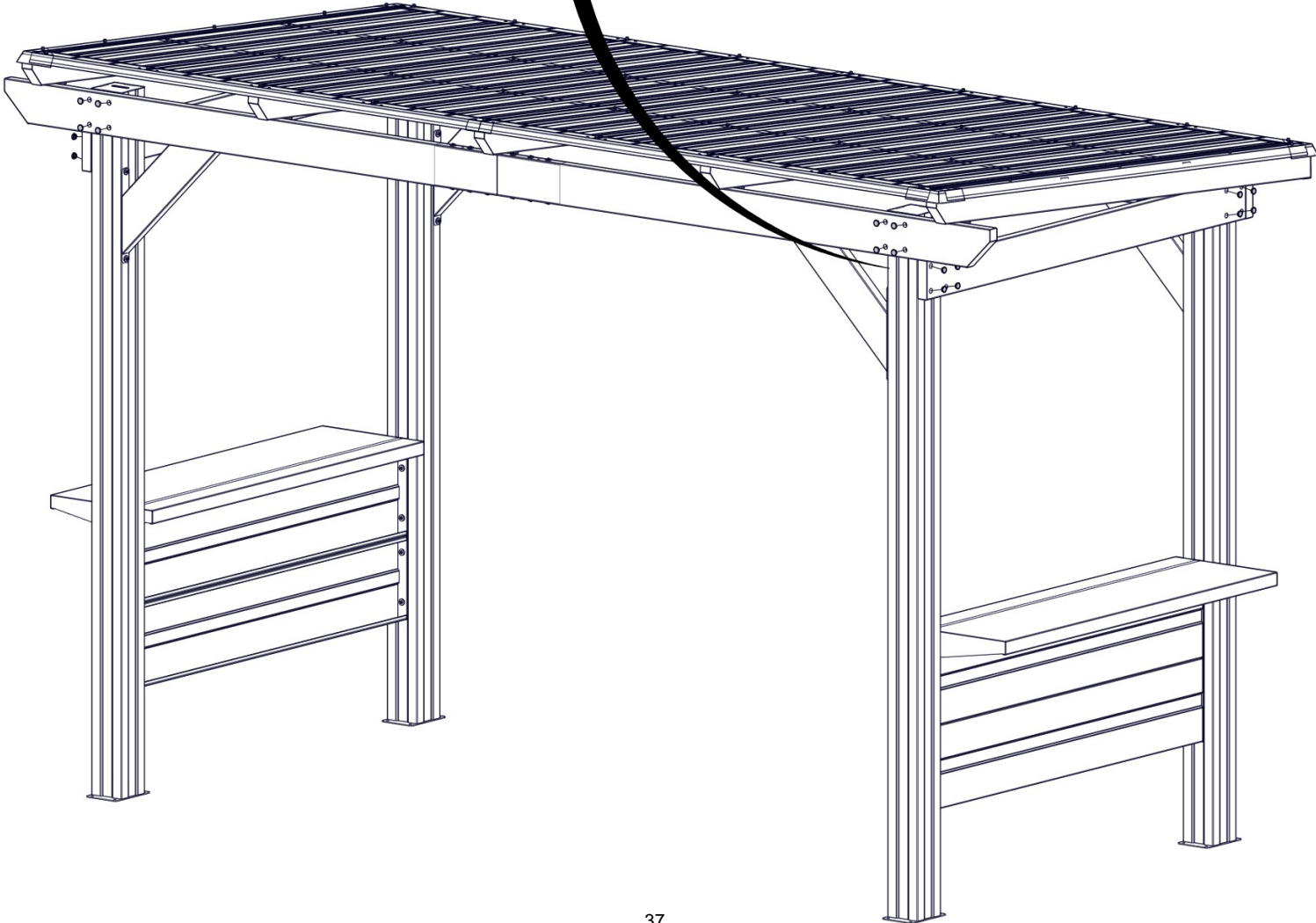


A4M01352 HOLE COVER  
(x32)

1352 (x32)  
HOLE COVER



**USE A SMALL PIECE OF WOOD TO TAP  
HOLE COVERS IN WITH A RUBBER MALLET.**

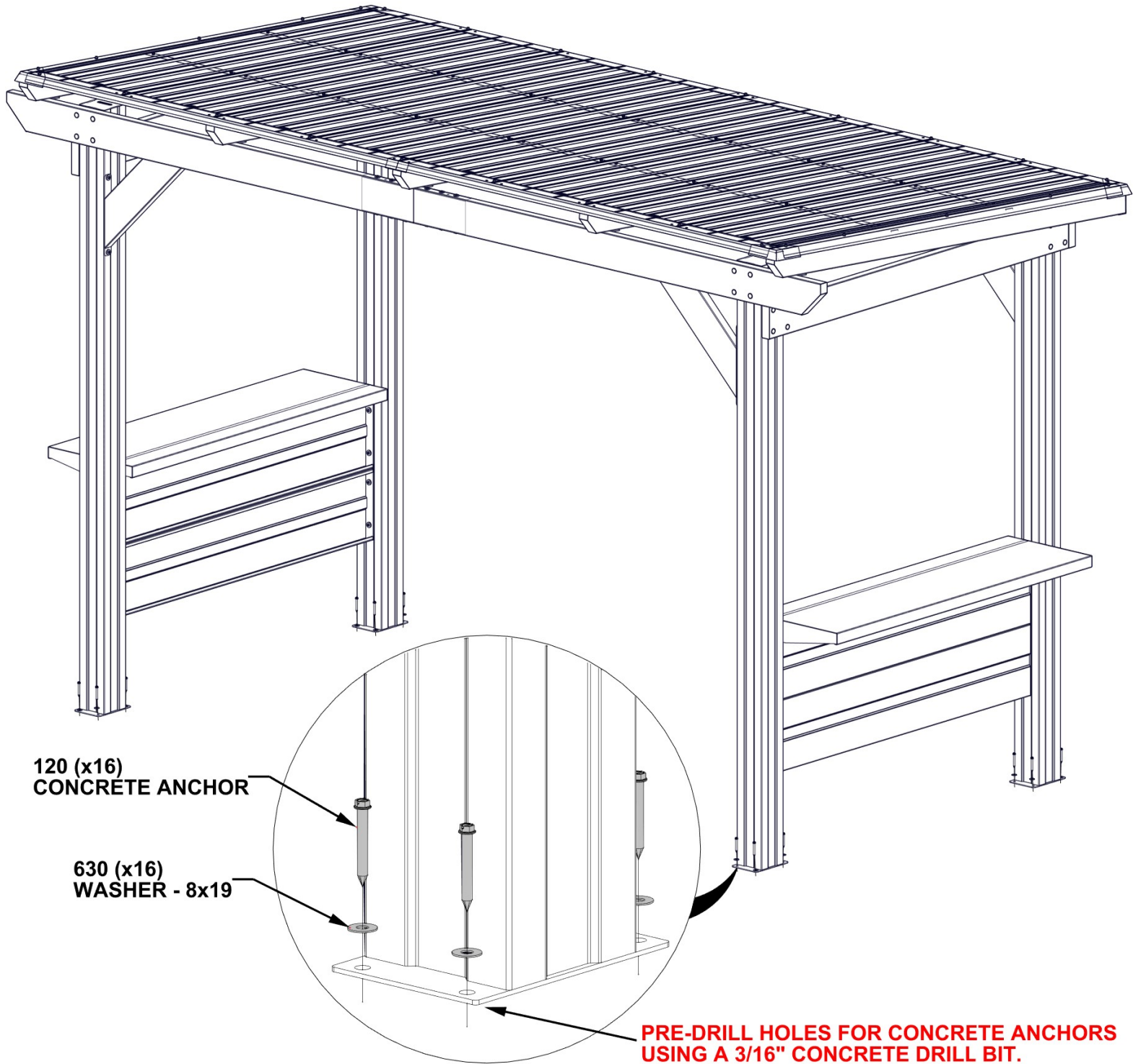


# STEP 30 - GAZEBO ANCHORING

QTY	PART NUMBER	DESCRIPTION
16	H100630	WASHER FLAT 8x19 BLK
16	H100120	CONCRETE ANCHOR 1/4x2"

**MANUFACTURER RECOMMENDS INSTALLATION ON CONCRETE SURFACE OR CONCRETE POST PAD AS SHOWN BELOW.**

**FOR INSTALLATION ON WOOD DECK, YOU MUST ENSURE THERE IS AMPLE STRUCTURAL SUPPORT UNDER THE DECK. HARDWARE NOT INCLUDED FOR DECK ATTACHMENT.**

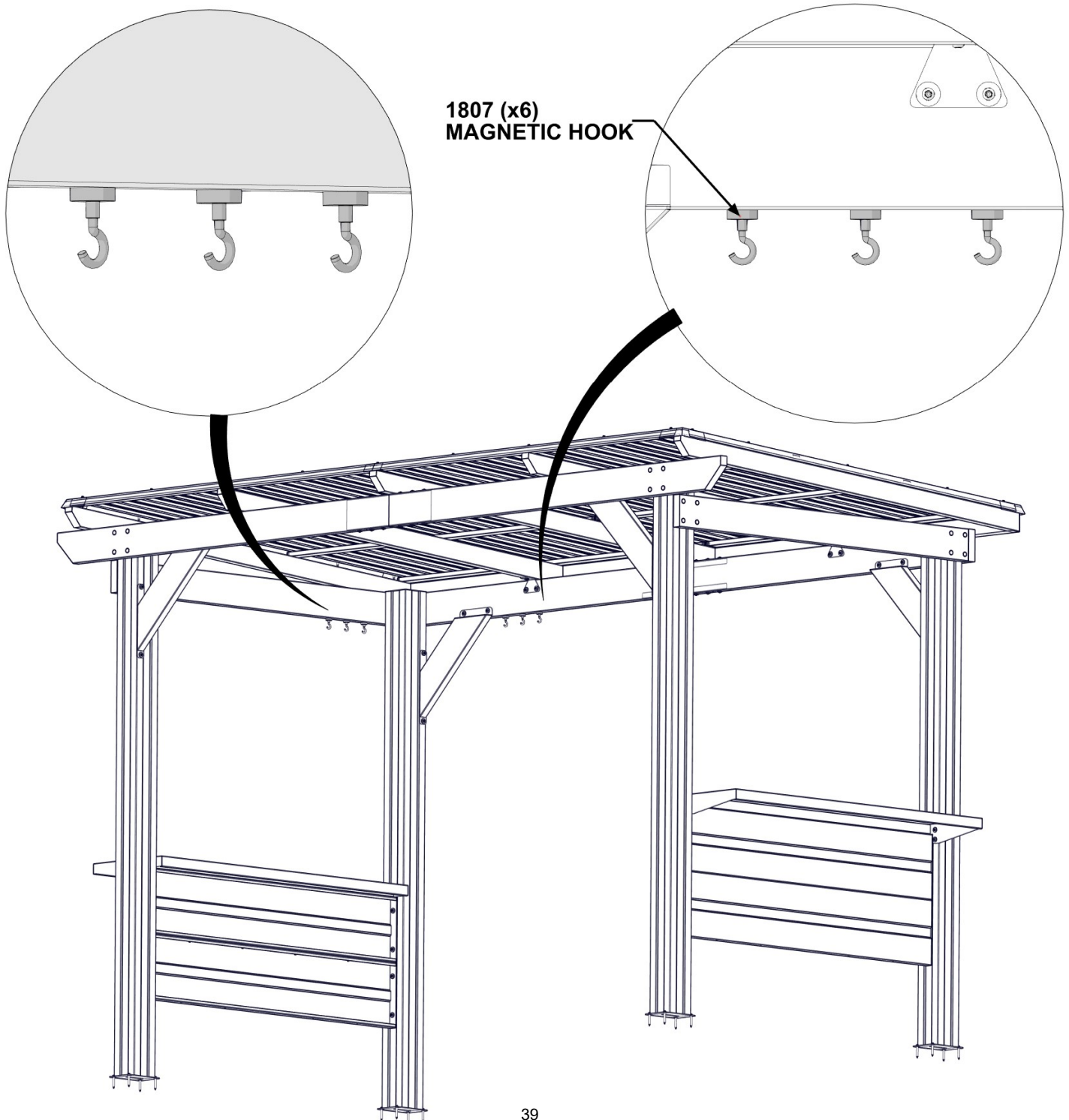


# STEP 31 - GAZEBO ASSEMBLY

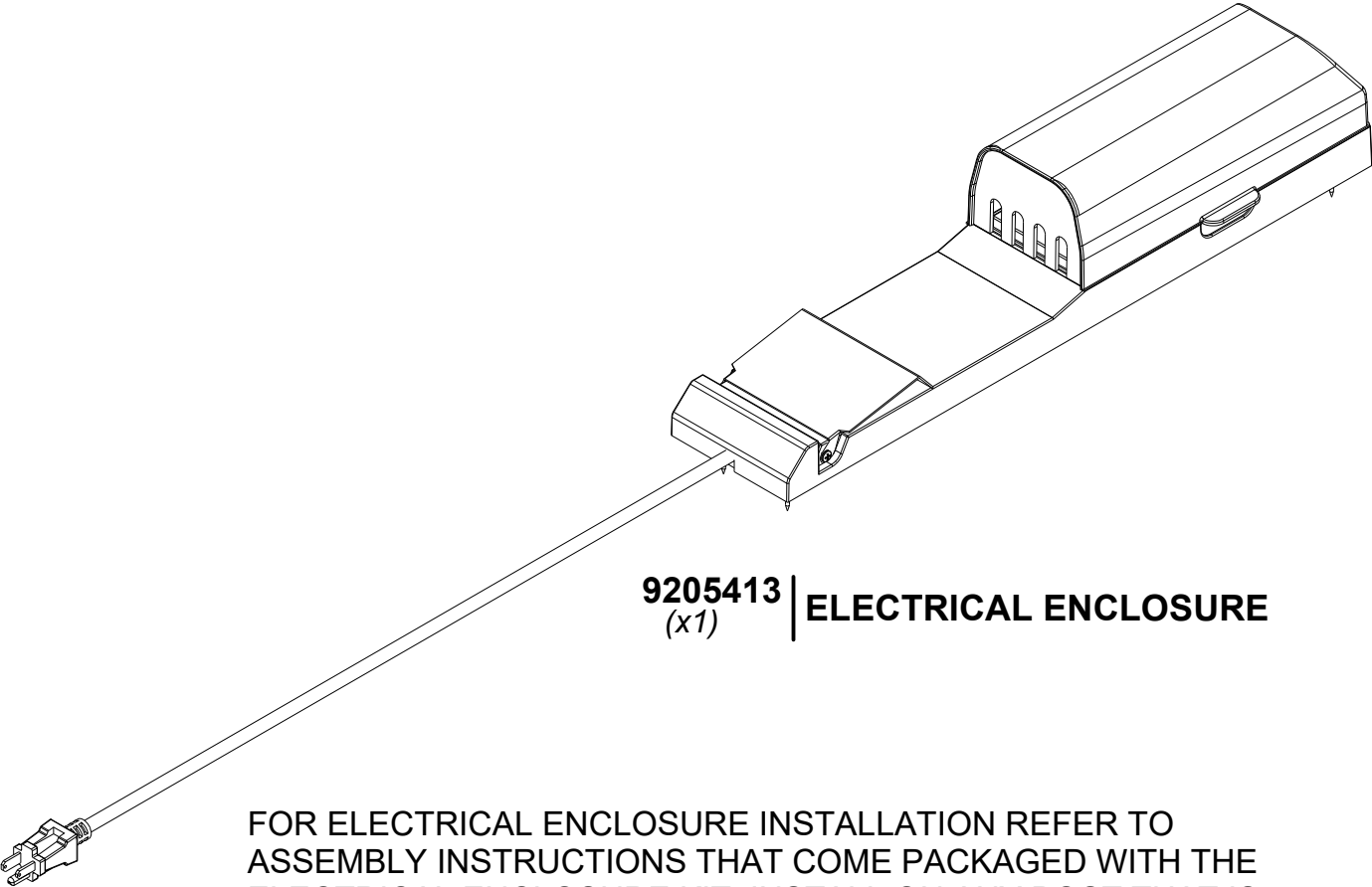


A4M01807 MAGNETIC HOOK  
(x6)

**MAGNETIC HOOKS CAN BE ATTACHED ON ANY METAL SURFACE ON THE GAZEBO. FOR MAXIMUM STRENGTH AND SUPPORT, IT IS RECOMMENDED TO ATTACH ON BOTTOM SIDE OF BACK OR SIDE BEAMS.**



# ELECTRICAL ENCLOSURE



**9205413** | **ELECTRICAL ENCLOSURE**  
(x1)

FOR ELECTRICAL ENCLOSURE INSTALLATION REFER TO ASSEMBLY INSTRUCTIONS THAT COME PACKAGED WITH THE ELECTRICAL ENCLOSURE KIT. INSTALL ON ANY POST THAT IS DESIRED. FOLLOW DIRECTIONS FOR PROPER INSTALLATION.